

BATHROOM
DECORLAB
COLORS '20



10	Slide
38	Able
56	Solid
98	Cross
130	Plana
156	Fold
180	Diva
212	Fuji
230	Top Line
248	Frame
278	Frame 2.0
296	Phorma
320	DecorLab
346	Colors
376	Wall Covering
380	Specifications

BATHROOM
DECORLAB
COLORS '20



SCARABEO®

Company

Scarabeo Ceramiche è un'azienda italiana specializzata nella produzione di sanitari e arredo bagno innovativi e dal design originale. Dal 1974 mette a frutto la propria capacità di dare forma alla ceramica e trasformarla in lavabi e sanitari dallo stile unico e inconfondibile conquistando nel tempo un successo di carattere internazionale che ha portato il brand a posizionarsi come un vero e proprio punto di riferimento per chi cerca idee nuove con cui arredare il bagno. Il saper interpretare il bagno offrendo design e funzionalità ha da sempre contraddistinto l'indole dell'azienda: competenza ed esperienza al servizio di una grande squadra che opera partendo da un'idea che, grazie alle infinite possibilità di lavorazione della ceramica, prende forma e si tramuta in un arredo completo, efficiente, esteticamente appagante e in grado di definire con carattere la personalità di un bagno. La continua ricerca di novità e la capacità di sapersi costantemente evolvere in accordo con le diverse esigenze manifestate dal mercato hanno permesso a Scarabeo di comporre una gamma molto ampia e sempre in crescita non solo di lavabi e sanitari ma anche di complementi di arredo ed accessori unici e di qualità impeccabile.

Scarabeo Ceramiche is an Italian company specialized in the production of innovative and original sanitary ware and bathroom furniture. Since 1974 it has been making use of its own ability to give shape to ceramic and turn it into washbasins and WCs with a unique style. This has allowed to gain over time an international success that has made the brand a real reference point for people searching new ideas for their own bathroom.

The interpretation of the bathroom by giving design and functionality has always characterized the nature of the company: competence and expertise in the service of a great team acting by starting from an idea which, thanks to the unlimited possibilities of the manufacturing of ceramic, takes shape and turns into a complete, efficient, aesthetically satisfying fitting that can strongly define the character of a bathroom. The continuous search for innovation and the ability to constantly evolve according to the different needs of the markets allowed Scarabeo to create a very wide and ever-growing range of washbasins, WC pans and even unique bathroom furniture and accessories of impeccable quality.

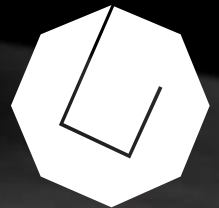
DESIGN PLUS



German
Design Award



A'DESIGN AWARD

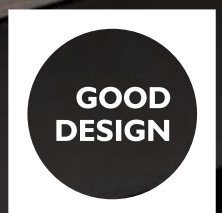


中国好设计
China Good Design



archiproducts
DESIGN AWARDS

WINNER 2017



FEDERLEGNOARREDO

Artigianali

A Civita Castellana la lavorazione della ceramica ha origini antichissime, che risalgono all'epoca pre-romana. Nell'arco dei secoli le tecniche di lavorazione e i processi produttivi si sono affinati fino a raggiungere l'eccellenza. La ceramica di Scarabeo attraverso la sua produzione si ripropone di recuperare la tecnica dei vari processi lavorativi che tanto sono stati importanti nella tradizione della città. Ogni pezzo viene sottoposto a controlli e attenzioni continue, per correggere qualsiasi imperfezione, garantendo così qualità e bellezza, tanto da avere un apprezzamento crescente sia in ambito nazionale che internazionale.

In Civita Castellana, the ceramic processing industry has ancient origins dating back to the pre-Roman era. Over the course of the centuries, the processing techniques and production processes have evolved to reach high standards of excellence. With its ceramic products, Scarabeo aims to recover the techniques and various processing phases which have been so important for the city's heritage. All items are constantly checked and inspected in order to correct any imperfections and guarantee their quality and beauty; as a result, they are receiving growing appreciation at a national and international level.





Designer

**Giovanna
Talocci**



Interior architect and designer since the 1970s. A natural curiosity for innovation, material research and technology, profound observation of the surrounding reality enabled her to design for prestigious companies, in completely unrelated fields. The same traits are now the pivotal elements in the work of the Talocci Design studio, which specialises in: product design, exhibition design, interior design, event organisation, integrated communication, art direction. Giovanna Talocci has received numerous acknowledgments, among them three ADI Design Index selections, four referrals at the Compasso D'Oro award and four Design Plus prizes. Alongside her design activities, she also works as cultural events curator and consultant for various trade exhibitions, anchor woman and guest of television programmes on design, and lecturer at universities and design schools. She has been a member of ADI (Industrial Design Association) since 1979 and of the ADI National Steering Committee since 2004. In addition, she was a member of the first Italian Council for Design.

Designer, painter and sculptor, he diversified his activities to include the creation of artistic works, setting up of temporary architectural works and installations, and interior furnishing and design. In 2002, he opened his studio - situated in the Viterbo area - and quite naturally made his way into the sanitary ceramics production industry. He designs various collections for companies of the sector and collaborates with Scarabeo on a stable basis.

**Chiara
Valeri**



**Massimiliano
Braconi**



Born in Rome on 21st March 1969, she completed her artistic studies by earning the title of "Master Ceramics Artist" in 1988, after which she began to dedicate herself to artistic ceramics. Subsequently, in 1990, she earned a Diploma in Applied Arts from the "Ulterico Midossi" State Institute of Art in Civita Castellana. In 1990 she graduated from the Rome Fine Arts Academy with a degree in Theatre and Cinema Scenic Design with full marks. She initially embarked on a career in theatre scenic design and subsequently continued her studies in furnishing and design issues. She has created interior design projects for both private customers and retail businesses, while simultaneously collaborating with companies operating in the bathroom furnishing and crockery sectors for outfitting trade fair stands. Since 1997 she has been predominantly focusing on the industrial design sector by collaborating with companies operating in the Civita Castellana industrial scenario.

Lukasz Bertoli _ Graduated in Industrial Design at Politecnico di Milano, Lukasz soon began collaborating with Polidesign and TD studio to develop products for many famous Italian companies such as Chicco and Gardesa. From 2004 to 2008 he was a senior industrial designer at GP designpartners in Vienna where his responsibilities included designing products for brands like Philips, Siemens, Citroen, Doppelmayr, Vienna Acoustics, Tchibo, NXP, Boesendorfer, HEI, Conlastic.

Carlo Ciciliot _ Born in 1982 Carlo graduated in International Relationships at Università degli Studi di Bologna with a Master's in Organization and Economic Development (MOSE) at Profingest Management School. After an important experience at the marketing office of a well established group in the construction sector, he became account manager at Emo design consultancy in 2009.

Davide Vercelli

Giovanni Calisti dedicates himself to art studies and in 1996 gets the qualification of "Maestro d'Arte della Ceramica" (Master of Ceramic Arts). His big passion flew into very appreciated painting and sculpture. He diversifies his activities from creation of artworks to modelling wash basins for a long-established factory in Civita Castellana named ICA. In 1974 he creates SCARABEO, a factory producing exclusively bathroom accessories that makes a name for itself in the European market in few years. In the middle of the nineties he designs different ranges of basins effortlessly. To this day, these ranges are some of the most appreciated of SCARABEO. Always searching for new stimulus, he charts new courses thanks to his clear strategy based on design.



Emo Design

Designer and Engineer Davide Vercelli founded his own firm in 2005 after being a researcher at the Politecnico di Torino. Ever since fond of project culture, of the ways how technological conception and production, communication and marketing strategies interfere in the making and the presentation of a product, he developed through the years a consistent series of co-operation jobs with design companies of different production fields.

A multi-disciplinary and cross-sectoral approach has enabled the studio over the years to support our customers as a global consultant, dealing with product, brand design, brand strategy and exhibit.

From 2013 the studio follows and designs end the main collective event of Cersaie (Aggregati, Cer-Sea, Cer-Style, Cer-Sail, Milleluci, The sound of design), dedicated to contract and wellness.

Numerous are the teaching experiences in co-operation with different institutes and universities such as the Faculty of Design at the Milan Polytechnic University, and I.E.D.. He boasts various international awards: thirteen selections for Adi Design Index, two at Compasso d'Oro, two awards at Young and Design, three Design Plus, one first prize at the International Design Awards, TWO Good Design Award AND ONE IF AND GERMAN DESIGN COUNCIL

Giovanni Calisti

References

AUSTRALIA

Grand Mercure Hotel NSW
Melbourne Convention Center
Waters Edge Apartments, West End, Brisbane
Mt.Lawley Apartments, Perth
New Quay Apartments, Docklands, Melbourne
Paddington Terraces, Paddington, New South Wales
CeVue Apartments Scarborough, Western Australia
Burswood Apartments Tower 5, Burswood, Perth
ANZ Head Office, Docklands, Melbourne, Victoria
The Village, Balgowlah, New South Wales
Nola Road Apartments, Roseville, Sydney, New South Wales
Westfield Shopping Centre, Plenty Valley, Melbourne, Victoria
State Circle Apartments, Canberra, Australian Capital Territory

EMIRATES

Elite Residence
Park Island
The Lofts
Princess Tower
Jumeirah Park

GREECE

Poseidon SA
Minoa Palace
Holiday Inn Athens
66-68 Boundary Street
Royal Plaza Hotel
Hung Hom Bay, KIL11120

HONG KONG

Providence Bay

ISRAEL

Crown Plaza - Intercontinental, Tel Aviv
King's Hotel, Jerusalem
Carlton Dead Sea, Jerusalem

NEW ZEALAND

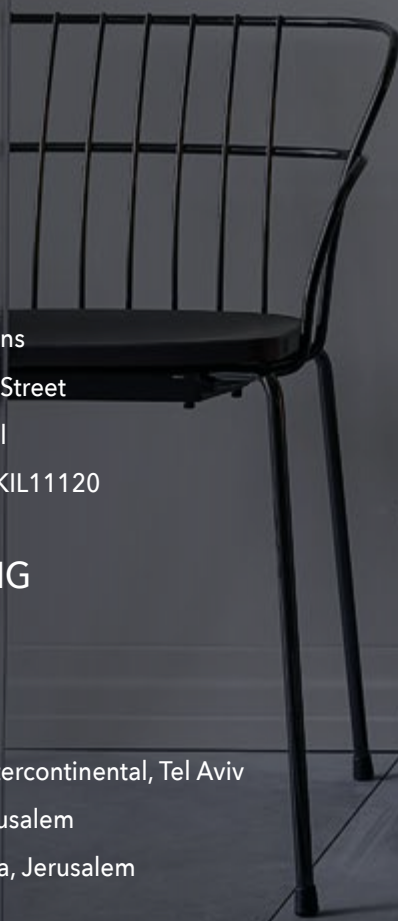
Novotel Auckland Airport

SINGAPORE

Visioncrest Residences
Holland Residences
Suncottages
Suites @ Orchard
831 Upper Serangoon Road
Waterfront Isle by Far East Development
Hillsta by Far East Development

KOREA

PoongRim Apartment Incheon
Pentaport Commercial and Residential Complex
Queendom Apartments, Busan
Lafolium Town House Samsung Heavy Industries
Bill Polaris Villa
Caelum Villa
Xii Apartment
Star Class Villa
GS Apartment
The Hill Apartment
Herrman Haus
Lotte Hotel Lotte Group
Lafolium Town House
PoongDong Apartment
I-Park Commercial and Residential
Complex Building
JW Marriott Seoul





slide

by Emo Design

SLIDE nasce dall'idea di ridurre la complessità della costruzione dei mobili da bagno attraverso l'utilizzo di elementi funzionali, come i ripiani e i supporti laterali, che fungono allo stesso tempo da unità di sostegno dell'intera struttura.

SLIDE presenta infatti dei supporti realizzati in lamiera verniciata e forati a laser per ospitare al loro interno ripiani in legno disponibili in diverse dimensioni, consentendo così di ricavare elementi a giorno o mensole d'appoggio attraverso molteplici possibilità di personalizzazione.

SLIDE reduces the complexity of bathroom furniture thanks to the use of functional elements, such as shelves and lateral supports, that act as supporting unit for the entire structure.

The painted sheet metal, laser drilled supports can receive wooden shelves of different size, thus creating open-fronted elements or shelves with an endless number of personalized options.



Art. 2310 _NROP
P50 H37 Cm
Coppia fianchi
Pair of sides

Art. 2314 _88
L120 P50 H2 Cm
Coppia piano 120 cm
Pair of 120 cm tops

Art. 2202
Ø70 Cm
Specchio tondo retroilluminato
Round backlit mirror

Washbasin
GLAM 56
Art. 1804 _52
56 x 39 Cm

SLDT

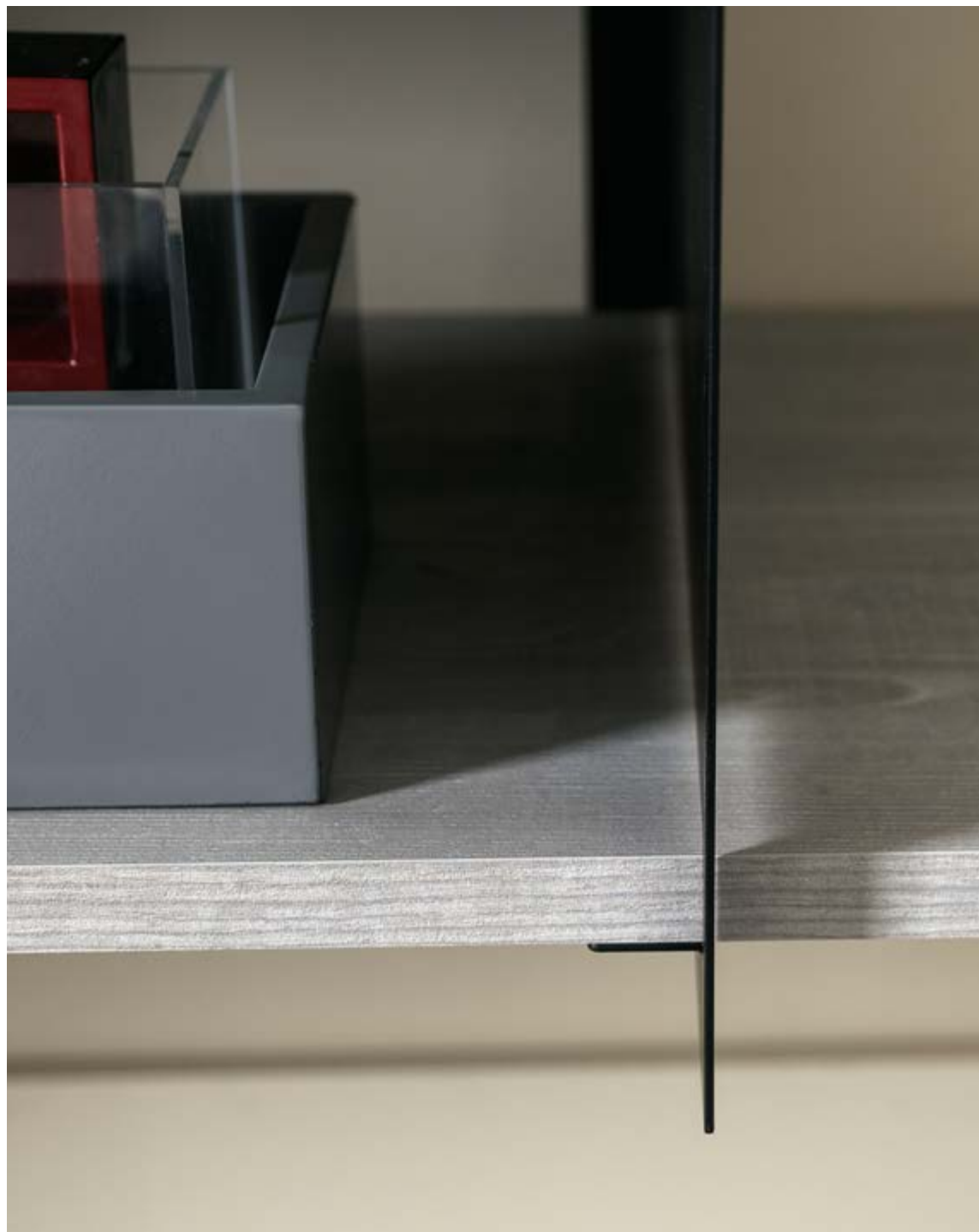












SLD1

slide

SLIDE è l'emblema della flessibilità e della versatilità: due tipologie di fianchi in lamiera nelle finiture nero opaco, grigio e tortora e mensole nelle dimensioni di cm 60, 90 e 120 si intersecano tra loro creando volume e molteplici movimenti e soluzioni. I piani in legno, oltre ad essere disponibili in 5 essenze diverse (Alpaca, Cesio Verde, Macassar, Rovere Brizzo e Rovere Nodato), su richiesta possono essere tagliati su misura.

SLIDE is a synonym of flexibility and versatility: the two sheet metal sides are available in matt black, grey and dove-grey finishes and in 60cm, 90cm and 120 cm size to create volume, movement and freedom. The wooden tops are offered in 5 wood essences (Alpaca, Cesio Verde, Macassar, Rovere Brizzo and Rovere Nodato) and can be cut to measure upon request.

Washbasin
GLAM Ø39
Art. 1807_41
Ø39 Cm



SLD1b





SLD1







Art. 2310_NROP
P50 H37 Cm
Coppia fianchi
Pair of sides

Art. 2314_89
L120 P50 H2 Cm
Coppia piano 120 cm
Pair of 120 cm tops

Art. 2202
Ø70 Cm
Specchio tondo retroilluminato
Round backlit mirror

SLD2

Washbasin
GLAM 56
Art. 1804_55
56 x 39 Cm





SLD2



SLD2





Art. 2310 _NROP
P50 H37 Cm
Coppia fianchi
Pair of sides

Art. 2311 _NROP
P50 H37 Cm
Fianco singolo per rompitratta
Single supporting side

Art. 2314 _89
L120 P50 H2 Cm
Coppia piano 120 cm
Pair of 120 cm tops

Art. 2205
100 x 60 Cm
Specchio rettangolare retroilluminato
Rectangular backlit mirror

SLD3

Washbasin
GLAM 56
Art. 1804 _RRM
56 x 39 Cm



Washbasin
GLAM Ø39
Art. 1807 _ 49
Ø39 Cm

slide

Una soluzione incredibilmente fruibile per la facilità di fissaggio a muro e per il costo contenuto, ed è abbinabile ad oltre 100 tipologie di lavabi Scarabeo, tutti disponibili in 9 tonalità di colore.

SLIDE is a very handy solution thanks to its easy wall mounting and reasonable price and can be combined with over 100 models of Scarabeo washbasins in 9 different colour finishes.

SLD3

Art. 2310 _TRT
P50 H37 Cm
Coppia fianchi
Pair of sides

Art. 2313 _88
L90 P50 H2 Cm
Coppia piano 90 cm
Pair of 90 cm tops

Art. 2201
Ø50 Cm
Specchio tondo retroilluminato
Round backlit mirror

SLD4

Washbasin
GLAM Ø39
Art. 1807 _ 49
Ø39 Cm

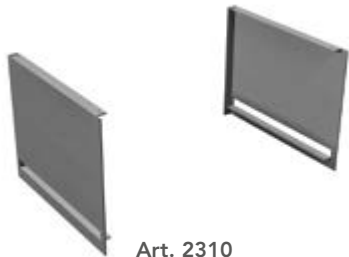




SLD4



slide CONFIGURATOR



Art. 2310



Art. 2311



SHELF 60 cm
Art. 2310
Art. 2312



SHELF 90 cm
Art. 2310
Art. 2313

SIDES



NROP



GRG



TRT



SHELF 90 cm
Art. 2310
Art. 2313



SHELF 90 cm
Art. 2310
Art. 2313



Art. 2312 - 60 cm ↑↓
Art. 2317/A - 60 cm ↑
Art. 2317/B - 60 cm ↓



Art. 2313 - 90 cm ↑↓
Art. 2318/A - 90 cm ↑
Art. 2318/B - 90 cm ↓



SHELF 120 + 90 cm
Art. 2310
Art. 2319/A + 2318/B



SHELF 120 cm
Art. 2310
Art. 2314



Art. 2314 - 120 cm ↑↓
Art. 2319/A - 120 cm ↑
Art. 2319/B - 120 cm ↓



SHELF 120 cm
Art. 2310
Art. 2314



SHELF 120 cm
Art. 2310 + 2311
Art. 2314

SHELF



87



88



89



96



97



SHELF 90 cm
Art. 2310
Art. 2313



SHELF 90 cm
Art. 2310
Art. 2313



SHELF 90 cm
Art. 2310
Art. 2313



SHELF 90 + 120 cm
Art. 2310
Art. 2318/A + 2319/B



SHELF 90 + 120 cm
Art. 2310
Art. 2318/A + 2319/B



SHELF 120 + 90 cm
Art. 2310
Art. 2319/A + 2318/B



SHELF 120 cm
Art. 2310
Art. 2314



SHELF 120 cm
Art. 2310
Art. 2314



SHELF 120 cm
Art. 2310
Art. 2314



SHELF 120 cm
Art. 2310 + 2311
Art. 2314



SHELF 120 cm
Art. 2310 + 2311
Art. 2314



SHELF 120 cm
Art. 2310 + 2311
Art. 2314



able

by Davide Vercelli

ABLE, disegnato da Davide Vercelli, appare come un tavolo o una consolle, solidi e senza orpelli, su cui poter posizionare oltre cento tipologie di lavabi delle collezioni Scarabeo, tutti disponibili in 9 colorazioni diverse. Una struttura in metallo, addolcita da angoli arrotondati, supporta un piano d'appoggio in legno per il lavabo e una mensola inferiore adatta ad elementi contenitivi.

Designed by Davide Vercelli, ABLE is a table with a solid structure and without frills. It can receive over one hundred models of Scarabeo washbasins in 9 colour finishes. The metal structure with rounded corners supports a wooden top for the washbasin and a lower shelf for storage elements.

Art. 2402 _GRG _88
L100 P50 H74 Cm
Consolle porta lavabo 100 cm
100 cm washbasin table

Art. 2404 _NROP
90 x 50 Cm
Specchio con mensole
Mirror with shelves

Art. 2713 _NROP _49
L30 Cm
Porta asciugamani
con mensola in ceramica
Towel rail with ceramic shelf

AB1

Washbasin
GLAM 56
Art. 1804 _RRR
56 x 39 Cm





Washbasin
GLAM 56
Art. 1804_52
56 x 39 Cm



AB1

Una forma semplice e un look apparentemente basic riconducono ABLE ad uno stile senza tempo, dove la bellezza è sinonimo di funzionalità e leggerezza.

ABLE è estremamente versatile e personalizzabile grazie alla possibilità di scegliere tra cinque finiture diverse del legno dei piani e due misure della struttura, cm 80 e cm 100, realizzata nella finitura nero opaco o grigio.

A plain shape and an apparently basic look give ABLE a timeless style where beauty is synonym of functionality and lightness.

ABLE is highly versatile and customizable thanks to five wooden essences and two sizes - 80 cm and 100 cm - for the structure with matt black or grey finish.

able





Art. 2401 _NROP _88
L80 P50 H74 Cm
Consolle porta lavabo 80 cm
80 cm washbasin table

Art. 2404 _NROP
90 x 50 Cm
Specchio con mensole
Mirror with shelves

AB2

Washbasin
GLAM Ø39
Art. 1807 _54
Ø39 Cm

Wall Covering
Art. PO101





AB2

ABLE si colloca con estrema facilità in qualsiasi contesto abitativo contemporaneo ed è inoltre particolarmente indicato per il settore contract che richiede per i propri ambienti personalità, robustezza ed alta fruibilità.

Un tocco glamour spetta allo specchio coordinato, realizzato con mensole incorporate o senza, proposto nelle stesse finiture della struttura.

ABLE can be easily integrated in all contemporary spaces and is the perfect choice for the contract sector, where personality, sturdiness and easy use play an important role.

The coordinated mirror, in the same finishes as the structure, with or without shelves, adds a glamour touch to the setting.

able



Art. 2401 _NROP _88
L80 P50 H74 Cm
Consolle porta lavabo 80 cm
80 cm washbasin table

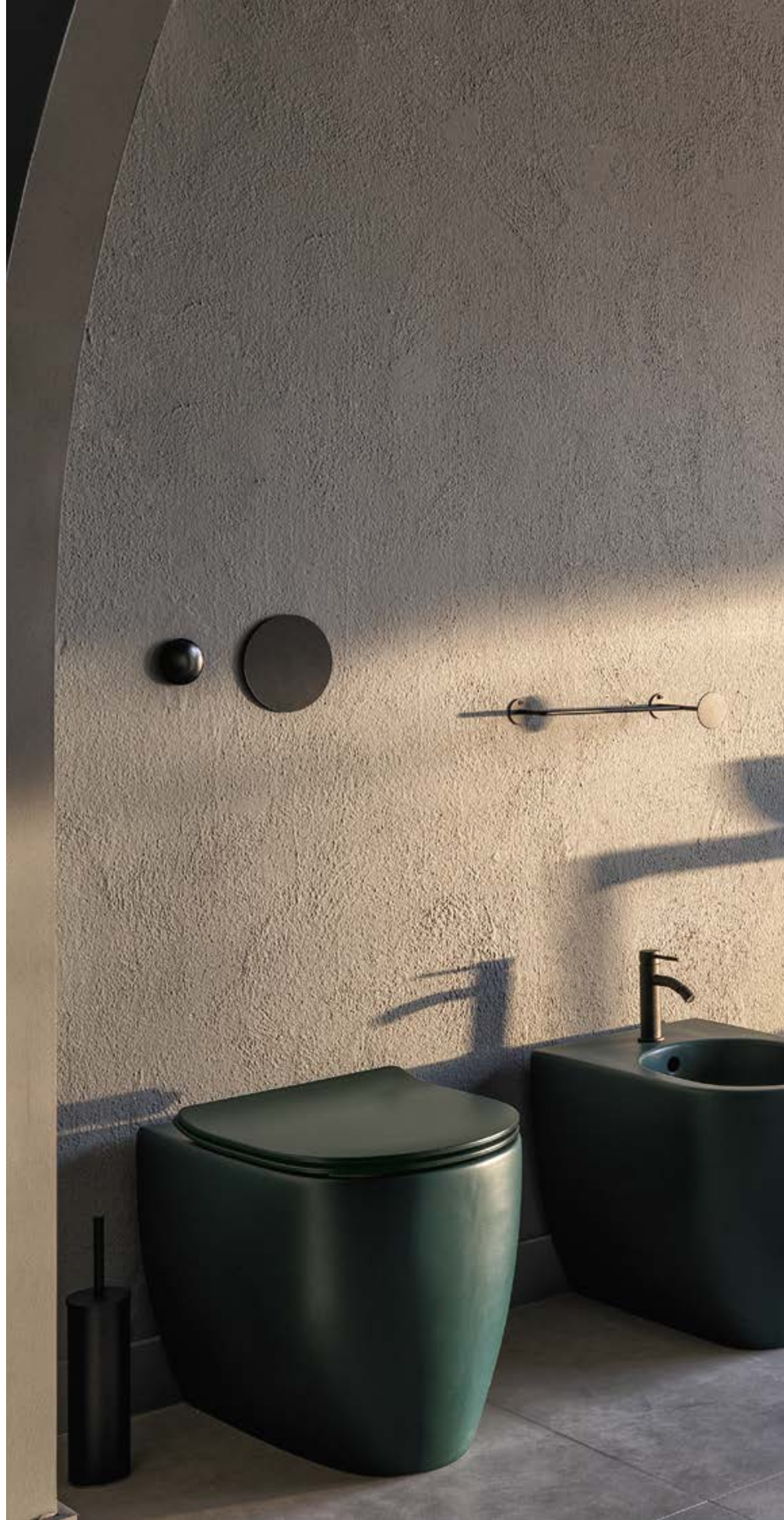
Art. 2404 _NROP
90 x 50 Cm
Specchio con mensole
Mirror with shelves

Washbasin
GLAM 56
Art. 1804 _55
56 x 39 Cm

AB3







AB3



SOLID

by Scarabeo

Scarabeo interpreta ancora una volta l'ambiente bagno attraverso la progettazione di un nuovo sistema di arredo volto ad offrire, oltre all'estetica e alla funzionalità, la possibilità di un'elevata personalizzazione.

Nasce SOLID, la quinta essenza della versatilità. Diversi elementi perfettamente abbinabili ed integrabili tra loro concorrono a creare soluzioni di design che rispondono ad ogni tipologia di esigenza o gusto.

Once again Scarabeo interprets the bathroom space with a new system that offers appealing aesthetics, functionality and a high customization level.

Its name is SOLID, the fifth essence of versatility. Multiple elements can be perfectly combined to create design solutions capable of satisfying all needs and tastes.









Art. 2902 _NROP
L89 P43,5 H77 Cm
Consolle a terra per lavabo 80 cm
Floor-standing table for washbasin 80 cm

Art. 2907 _89
L79 P43,5 H20 Cm
Cassetto 79 x h20 cm
Drawer 79 x h20 cm

Art. 2914 _NROP
44 x 20 P43,5 Cm
Contenitore metallico 43,5 cm
Metal container 43.5 cm

Art. 2202
Ø70 Cm
Specchio tondo retroilluminato
Round backlit mirror

SOLID

Washbasin
TEOREMA 2.0 80 SHELF DX®
Art. 5115 _54
81 x 44 Cm





SOLT

Art. 2902 _NROP
L89 P43,5 H77 Cm
Consolle a terra per lavabo 80 cm
Floor-standing table for washbasin 80 cm

Art. 2907 _89
L79 P43,5 H20 Cm
Cassetto 79 x h20 cm
Drawer 79 x h20 cm

Art. 2914 _NROP
44 x 20 P43,5 Cm
Contenitore metallico 43,5 cm
Metal container 43.5 cm

Art. 2201
Ø50 Cm
Specchio tondo retroilluminato
Round backlit mirror

SOL2

Washbasin
TEOREMA 2.0 80 SHELF DX®
Art. 5115 _55
81 x 44 Cm



SOL2







SOL2



Un'importante struttura in metallo, disponibile nelle finiture Nero opaco, Grigio e Tortora e dotata di porta asciugamani integrato, diventa un abito su misura capace di vestire alla perfezione tutti i lavabi della collezione Teorema 2.0 da 80 e 100 cm.

Con il posizionamento di una mensola in legno, la stessa struttura diventa una consolle fruibile per oltre 100 tipi di lavabi da appoggio. La possibilità, inoltre, di poter scegliere la ceramica dei lavabi tra otto colori diversi, permette di costruire un'identità unica e personalizzata della sala da bagno.

The impressive metal structure, which is available in matt Black, Gray and Dove-Gray finishes and is equipped with tower rail, can fit all Teorema 2.0 Collection washbasins with 80 cm and 100 cm size.

With the addition of a wooden shelf, the structure becomes a top for over 100 models of lay-on washbasins. Moreover, the ceramic for the washbasin can be chosen from a selection of eight colours to create a unique, personalized identity for your bathroom.

SOLID





SOL3

Art. 2901 _NROP
L109 P45,5 H77 Cm
Consolle a terra per lavabo 100 cm
Floor-standing table for washbasin 100 cm

Art. 2906 _86
L99 P45,5 H20 Cm
Cassetto 99 x h20 cm
Drawer 99 x h20 cm

x4 - Art. 2905 _NROP
44 x 20 P45,5 Cm
Contenitore metallico 45,5 cm
Metal container 45.5 cm

Art. 2204
80 x 60 Cm
Specchio rettangolare retroilluminato
Rectangular backlit mirror

SOL3

Washbasin
TEOREMA 2.0 100 SHELF DX®
Art. 5119 _41
101 x 46 Cm







La parte inferiore della struttura si presta a zona contenitiva attraverso l'opzione della mensola semplice o di cassetti disponibili nelle altezze di cm 20 e cm 30. Entrambi le soluzioni offrono la scelta tra 5 diverse finiture del legno (Alpaca, Cesio Verde, Macassar, Rovere Brizzo e Rovere Nodato).

SOLID si completa inoltre di accessori in metallo posizionabili a muro o in appoggio che ampliano la capacità contenitiva e offrono ulteriori spunti creativi per un'idea di bagno completo e decisamente funzionale.

The lower part of the structure can be used as container with a shelf or drawers with 20 cm and 30 cm height. Both solutions are available in 5 wooden finishes (Alpaca, Cesio Verde, Macassar, Rovere Brizzo and Rovere Nodato).

SOLID is completed with metal accessories that can be fixed to the wall or placed on the washbasin to increase storage space, while offering creative options for a fully functional, complete bathroom.

SOLID





Art. 2901 _NROP
L109 P45,5 H77 Cm
Consolle a terra per lavabo 100 cm
Floor-standing table for washbasin 100 cm

Art. 2910 _88
L100 P45,5 H2 Cm
Mensola superiore
Upper shelf

Art. 2912 _88
L99 P45,5 H2 Cm
Mensola inferiore
Lower shelf

x2 - Art. 2905 _NROP
44 x 20 P45,5 Cm
Contenitore metallico 45,5 cm
Metal container 45.5 cm

Art. 2202
Ø70 Cm
Specchio tondo retroilluminato
Round backlit mirror

SOL4

Washbasin
GLAM 76
Art. 1803 _49
76 x 39 Cm

SOL4





Art. 2901 _NROP
L109 P45,5 H77 Cm
Consolle a terra per lavabo 100 cm
Floor-standing table for washbasin 100 cm

Art. 2910 _88
L100 P45,5 H2 Cm
Mensola superiore
Upper shelf

Art. 2908 _88
L99 P45,5 H30 Cm
Cassetto 99 x h30 cm
Drawer 99 x h30 cm

Art. 2905 _NROP
44 x 20 P45,5 Cm
Contenitore metallico 45,5 cm
Metal container 45.5 cm

Art. 2205
100 x 60 Cm
Specchio rettangolare retroilluminato
Rectangular backlit mirror

SOL5

Washbasin
GLAM 56
Art. 1804 _52
56 x 39 Cm





SOL5





SOL5







Art. 2906 _89
L99 P45,5 H20 Cm
Cassetto 99 x h20 cm
Drawer 99 x h20 cm

x2 - Art. 2905 _NROP
44 x 20 P45,5 Cm
Contenitore metallico 45,5 cm
Metal container 45.5 cm

Art. 2202
Ø70 Cm
Specchio tondo retroilluminato
Round backlit mirror

SOL6

Washbasin
TEOREMA 2.0 60 SHELF DX®
Art. 5114 _52
60 x 44 Cm



SOL6



Gli accessori, così come le mensole e i cassetti, possono inoltre arredare l'ambiente in modo autonomo svincolandosi dalla struttura attraverso una collocazione a parete o a terra laddove la scelta del lavabo ricada sulla tipologia sospesa.

Accessories, shelves and drawers can be used to decorate the space independently, without using the structure, with wall fixing or floor-standing installation in case of a suspended washbasin.

Art. 2906 _89
L99 P45,5 H20 Cm
Cassetto 99 x h20 cm
Drawer 99 x h20 cm

Art. 2905 _NROP
44 x 20 P45,5 Cm
Contenitore metallico 45,5 cm
Metal container 45.5 cm

Art. 2205
100 x 60 Cm
Specchio rettangolare retroilluminato
Rectangular backlit mirror

Washbasin
TEOREMA 2.0 100 DOUBLE SHELF®
Art. 5124
101 x 46 Cm

SOL6b









SOL6b

SOLID CONFIGURATOR

SOLID con lavabo Teorema 2.0
 SOLID with Teorema 2.0 washbasin
 SOLID avec lavabo Teorema 2.0
 SOLID mit Waschbecken Teorema 2.0
 SOLID con lavabo Teorema 2.0
 SOLID с умывальником Teorema 2.0

80 cm = Art: 5110 - 5115 - 5118 - 5123

100 cm = Art: 5106/R-100/A - 5106/R-100/B - 5119 - 5120 - 5124



SOLID con mensola superiore e lavabo generico*
 SOLID with upper shelf and generic washbasin*
 SOLID avec tablette supérieure et lavabo générique*
 SOLID mit Ablage oben und Standardwaschbecken*
 SOLID con repisa superior y lavabo genérico*
 SOLID с верхней полкой и стандартным умывальником*



Art. 2901 - 100 cm



Art. 2902 - 80 cm



Art. 2905 - p 45,5 cm



Art. 2914 - p 43,5 cm

CONSOLE / METAL CONTAINER



NROP GRG TRT



Art. 2906 - 99 x h20



Art. 2908 - 99 x h30



Art. 2907 - 79 x h20



Art. 2909 - 79 x h30



Art. 2912 - 99 cm ↓



Art. 2910 - 100 cm ↑

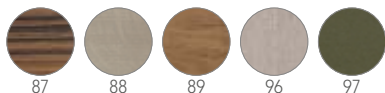


Art. 2913 - 79 cm ↓



Art. 2911 - 80 cm ↑

WOODEN DRAWER / SHELF



87 88 89 96 97

SOLID con lavabo Teorema 2.0
 SOLID with Teorema 2.0 washbasin
 SOLID avec lavabo Teorema 2.0
 SOLID mit Waschbecken Teorema 2.0
 SOLID con lavabo Teorema 2.0
 SOLID с умывальником Теорема 2.0



Art. 2901
 Art. 2912
 Art. 2905



Art. 2901
 Art. 2906



Art. 2901 + Art. 2910
 Art. 2912
 Art. 2905



Art. 2901 + Art. 2910
 Art. 2906



Art. 2901
 Art. 2906
 Art. 2905



Art. 2901
 Art. 2906
 2x Art. 2905



Art. 2901 + Art. 2910
 Art. 2906
 Art. 2905



Art. 2901 + Art. 2910
 Art. 2906
 2x Art. 2905



Art. 2901
 Art. 2908



Art. 2901
 Art. 2908
 Art. 2905



Art. 2901 + Art. 2910
 Art. 2908



Art. 2901 + Art. 2910
 Art. 2908
 Art. 2905

SOLID con mensola superiore e lavabo generico*
 SOLID with upper shelf and generic washbasin*
 SOLID avec tablette supérieure et lavabo générique*
 SOLID mit Ablage oben und Standardwaschbecken*
 SOLID con repisa superior y lavabo genérico*
 SOLID с верхней полкой и стандартным умывальником*

Cross

by Scarabeo

Uno stile ricercato e fuori dagli schemi per un ambiente bagno unico e decisamente glamour.

Scarabeo presenta CROSS, la nuova soluzione arredativa che trasforma la sala da bagno in un luogo affascinante, originale e delicato al tempo stesso.

CROSS ci introduce in un a nuova atmosfera dove il legno incontra la ceramica creando un incrocio perfetto di materiali diversi e finiture suggestive, trasformando il bagno in un ambiente emozionale ed incredibilmente funzionale.

A unique, refined style for a very glamour bathroom. Scarabeo presents CROSS, the new interior decoration solution that will convert your bathroom into a delicate, original and fascinating place.

CROSS creates a new atmosphere where wood meets ceramics, in a perfect match of materials and finishes, to convert your bathroom in an emotional, yet incredibly functional space.





Art. 2501 TOP_49 / SNODO_49

Ø52 H72 Cm

Consolle completa, tinta legno chiaro
Complete table, light-coloured wooden finish

Art. 2302 _NROP

L51 H82 Cm

Specchio in tubolare tondo con mensola e porta bicchiere
Tubular round mirror with shelf and glass holder

Washbasin

GLAM Ø39

Art. 1807 _49

Ø39 Cm







Washbasin
GLAM Ø39
Art. 1807 _49
Ø39 Cm

Una base in legno con elementi che si incrociano
raccordati da inserti in ceramica, supportano un top
tondo in ceramica su cui possono essere posizionati
14 tipologie di lavabo delle collezioni Scarabeo
(Bucket, Glam, Mizu, Thin Line, Shape e lavabi d'arredo).

Il legno è proposto nelle tonalità chiaro e scuro
e la ceramica del piano d'appoggio e degli inserti è
disponibile in 9 finiture diverse, le stesse applicate
a lavabi e sanitari, per garantire un elevato livello
di personalizzazione in linea con le tendenze attuali
per un bagno sempre più originale e fashion.

The wooden base, with crossing elements joined
by ceramic inserts, supports a round ceramic top
that can receive 14 types of washbasins from the
Scarabeo collections (Bucket, Glam, Mizu, Thin Line,
Shape and furnishings washbasins).

The wood essence can be light coloured or dark,
and the ceramics of the top and of the inserts
comes in 9 different finishes the same finishes as
washbasins and sanitary fittings to provide
high customization in line with the current trends
for an originally fashionable bathroom.

Cross



Art. 2502 TOP_56 / SNODO_56

Ø52 H72 Cm

Consolle completa, tinta legno scuro

Complete table, dark-coloured wooden finish

Art. 2201

Ø50 Cm

Specchio tondo retroilluminato

Round backlit mirror

Washbasin

GLAM Ø33

Art. 1808_56

Ø33 Cm







Art. 10032
Sifone compatto in ottone
Brass compact trap

Art. 2501 TOP_49 / SNODO_49
Ø52 H72 Cm

Consolle completa, tinta legno chiaro
Complete table, light-coloured wooden finish

Art. 2206

70 x 40 Cm

Specchio ovale retroilluminato
Oval backlit mirror

Art. 2713 _NROP_49

L30 Cm

Porta asciugamani con mensola
Towel rail with ceramic shelf

Washbasin

GLAM Ø39

Art. 1807 _41

Ø39 Cm











Art. 2504 TOP_99 / LEGS_98 / SNODO_49
L52 P43 H47 Cm
Tavolo completo
Complete table

CROSS si completa inoltre di un piccolo tavolo perfettamente abbinato alla consolle affinché la sala da bagno sia a tutti gli effetti un luogo accogliente e soprattutto fruibile e completo.

Una gamma di accessori coordinati, come specchi, mensole e porta salviette, diventano il fiore all'occhiello per un total look ricercato dove ogni particolare è segno evidente di una accurata ricerca dei dettagli.

CROSS also includes a small table that is perfectly matched with the console, making the bathroom functional and cosy at the same time.

A range of coordinated accessories, which includes mirrors, shelves and towel rails, is the final touch for a refined total look, where each detail is a clear sign of accurate design.

Cross







Art. 2502 TOP_55 / SNODO_55

Ø52 H72 Cm

Consolle completa, tinta legno scuro

Complete table, dark-coloured wooden finish

Art. 2201

Ø50 Cm

Specchio tondo retroilluminato

Round backlit mirror

Art. 2714 _NROP _49

L45 Cm

Porta asciugamani con mensola

Towel rail with ceramic shelf

Washbasin

GLAM Ø33

Art. 1808 _55

Ø33 Cm







Art. 2502 TOP_54 / SNODO_54

Ø52 H72 Cm

Consolle completa, tinta legno scuro

Complete table, dark-coloured wooden finish

Art. 2207

100 x 45 Cm

Specchio ovale retroilluminato

Oval backlit mirror

Art. 2714 _NROP_54

L45 Cm

Porta asciugamani con mensola in ceramica

Towel rail with ceramic shelf

Washbasin

GLAM Ø39

Art. 1807 _54

Ø39 Cm





Art. 2502 TOP_54 / SNODO_54

Ø52 H72 Cm

Consolle completa, tinta legno scuro

Complete table, dark-coloured wooden finish

Art. 2704 _NROP

L45 H90 Cm

Specchio attrezzato

Equipped mirror

Washbasin

GLAM Ø39

Art. 1807 _54

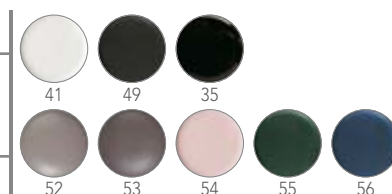
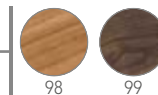
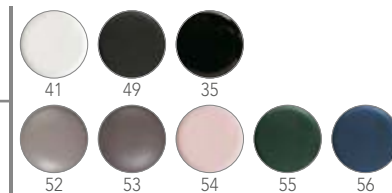
Ø39 Cm





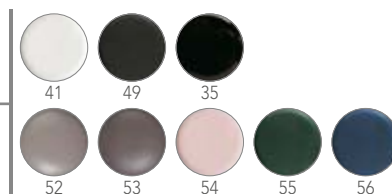
ART. 2501- 2502

Specificare colore inserti in ceramica
 Indicate the ceramic inserts colour
 Préciser la couleur des inserts en céramique
 Farbe der Keramikeinsätze angeben
 Especificar color aplicaciones de cerámica
 Уточнить цвет керамических вставок



ART. 2504

Specificare colore inserti in ceramica, top e gambe in legno
 Indicate the colour of ceramic inserts, tops and wooden legs
 Préciser la couleur des inserts en céramique, du plan et des pieds en bois
 Farbe für Keramikeinsätze, Top und Holzbeine bitte angeben
 Especificar color de aplicaciones de cerámica, encimera y patas de madera
 Уточнить цвет керамических вставок, столешницы и деревянных ножек



PLANA

by Scarabeo

PLANA è il nuovo total-look ideato e realizzato da Scarabeo per un ambiente bagno moderno, essenziale e fortemente funzionale.

Un progetto ampio che vede Scarabeo protagonista nella proposta di un concept completo di arredobagno coordinato che contempra, oltre ad una vasta gamma di soluzioni in ceramica, anche la possibilità di abbinarli ad una tipologia di arredo che incontra le esigenze estetiche e contenitive del proprio pubblico.

PLANA is the new total-look designed and created by Scarabeo for a modern, essential and extremely functional bathroom.

A big project where Scarabeo is the protagonist, proposing a complete concept of bathroom including not only a wide range of ceramic solutions but also the possibility of matching it with a type of furniture that meets the aesthetic and storage needs of the public.







PLN1







PLANA è razionale e molto versatile.
Un foglio di lamiera piegato, disponibile in tre misure
(cm 60, 80 e 100) e nelle finiture Nero opaco, Grigio e Tortora,
su cui posizionare ogni variante di lavabo da appoggio.

Minimo ingombro per un design sostenibile e all'avanguardia.
La zona contenitiva lascia ampia scelta tra cassetti e mensole in
legno di varie misure e finiture, posizionabili con assoluta facilità
per creare combinazioni creative personalizzate in base
ai propri gusti o esigenze, spaziando dalle essenze
come l'Alpaca al Cesio verde, dal Macassar
al Rovere Brizzo fino al Rovere Nodato.

PLANA is rational and very versatile. A bent metal sheet,
available in 3 dimensions (60, 80 and 100 cm) and 3 finishes
(mat black, grey and dove grey) where it is possible
to place every kind of countertop basin. Small footprint for a
sustainable and cutting-edge design.

The storage space allows a wide choice: wooden drawers
and shelves in several dimensions and finishes easily placeable
to create different and customized combinations matching
people's tastes or needs, ranging from woods such
as the Alpaca al cesio verde, from the Macassar
to Rovere Brizzo up to Rovere Nodato.

PLANA





Art. 2551 _NROP
L100 P48 H20 Cm
Consolle porta lavabo 100 cm
100 cm washbasin table

Art. 2906 _88
L99 P45,5 H20 Cm
Cassetto 99 x h20 cm
Drawer 99 x h20 cm

Art. 2202
Ø70 Cm
Specchio tondo retroilluminato
Round backlit mirror

PLN3

Washbasin
GLAM 56/R
Art. 1802 _56
56 x 38 Cm



PLN3



Art. 2551 _NROP
L100 P48 H20 Cm
Consolle porta lavabo 100 cm
100 cm washbasin table

Art. 2908 _89
L99 P45,5 H30 Cm
Cassetto 99 x h30 cm
Drawer 99 x h30 cm

Art. 2207
100 x 45 Cm
Specchio ovale retroilluminato
Oval backlit mirror

PLN4

Washbasin
GLAM 76
Art. 1803 _49
76 x 39 Cm





Art. 2908 _88
L99 P45,5 H30 Cm
Cassetto 99 x h30 cm
Drawer 99 x h30 cm

Washbasin
GLAM 56
Art. 1804 _ SFLNT
76 x 39 Cm



PLN4b





PLN5





Art. 2553 _NROP
L60 P48 H20 Cm
Consolle porta lavabo 60 cm
60 cm washbasin table

Art. 2907 _89
L79 P43,5 H20 Cm
Cassetto 79 x h20 cm
Drawer 79 x h20 cm

Art. 2206
70 x 40 Cm
Specchio ovale retroilluminato
Oval backlit mirror

PLN6

Washbasin
MOON 42 H18
Art. 5501 _ 52
42 x 42 Cm



PLN6



Fold

by Emo Design

Il sistema FOLD, disegnato da Emo design per Scarabeo Ceramiche, nasce dalla volontà di completare la linea di mini lavabi attraverso una soluzione smart e di facile applicazione per ambienti piccoli come quelli in cui sono posizionati i piccoli lavabi Cube, Soft e Hung di Scarabeo.

Pur essendo pensato per ambienti compatti, FOLD offre un ottimo livello di funzionalità. Infatti, ciascuno dei fogli di lamiera ripiegati in diverse forme, può contenere o sorreggere quanto necessario per la cura quotidiana del corpo.

The idea behind creation of the FOLD system, designed by Emo Design for Scarabeo Ceramiche, is to complete the range of mini washbasins with a smart system that is easy to install in small bathrooms, such as those in which the Cube, Soft and Hung small washbasins of Scarabeo are positioned.

Although it has been designed for compact bathrooms, FOLD is extremely functional. Each of the metal sheets folded into different shapes can contain or support everything you need for everyday body care.





Art. 2301 _TRT
L53,5 H60 Cm
Specchio tondo con mensola
Round mirror with shelf

Art. 2305 _TRT
L12 P24 H24 Cm
Pensile contenitore a muro
Wall unit with wall container

Art. 2306 _TRT
L23,5 P24 H24 Cm
Pensile contenitore a muro
Wall unit with wall container

FOI

Washbasin
CUBE 24 H24
Art. 1521 _49
24 x 24 Cm



FO1



Art. 2304 _NROP
L37 P8 H25 Cm
Specchio contenitore a muro
Mirror with wall container

Art. 2305 _NROP
L12 P24 H24 Cm
Pensile contenitore a muro
Wall unit with wall container

Art. 2306 _NROP
L23,5 P24 H24 Cm
Pensile contenitore a muro
Wall unit with wall container

FO2

Washbasin
CUBE 42 H24
Art. 1522 _SFLNR
42 x 24 Cm





FO2





N°5
CHANEL
PARIS

Art. 2304 _NROP
L37 P8 H25 Cm
Specchio contenitore a muro
Mirror with wall container

Art. 2305 _NROP
L12 P24 H24 Cm
Pensile contenitore a muro
Wall unit with wall container

FO3

Washbasin
CUBE 24 H24
Art. 1521 _SENR
24 x 24 Cm



La pulizia estetica e la facilità di applicazione sono garantite da un semplice sistema di fissaggio a muro in punti non visibili. FOLD è dunque un sistema flessibile che Scarabeo propone in diverse applicazioni ma che può essere liberamente interpretato per personalizzare la propria stanza da bagno. FOLD è disponibile nelle finiture grigio, nero opaco e tortora.

Visual simplicity and easy application are guaranteed by an easy wall attachment system in concealed points. FOLD is therefore a flexible system proposed by Scarabeo in various applications, but also freely interpretable to customise your own bathroom. FOLD is available in gray, matt black and taupe finishes.

fold







FO4

Art. 2205
100 x 60 Cm
Specchio rettangolare retroilluminato
Rectangular backlit mirror

Art. 2305 _GRG
L12 P24 H24 Cm
Pensile contenitore a muro
Wall unit with wall container

x2 Art. 2306 _GRG
L23,5 P24 H24 Cm
Pensile contenitore a muro
Wall unit with wall container

Washbasin
CUBE 24 H24
Art. 1521 _49
24 x 24 Cm

Washbasin
CUBE 42 H24
Art. 1522 _49
42 x 24 Cm

FO5









FO5





Art. 2201
Ø50 Cm
Specchio tondo retroilluminato
Round backlit mirror

Art. 2303 _NROP
L52 P20 H25 Cm
Cubo asimmetrico
Asymmetric cube

FO6

Washbasin
SOFT 45
Art. 1501
45 x 22 Cm

Diva

by Scarabeo

Elegantemente essenziale,
attira l'attenzione da vera protagonista.
Come solo una DIVA sa fare ti offre una visione
raffinata nascondendo al suo interno
molteplici qualità, tutte da scoprire.

DIVA è la nuova idea di arredo bagno
che Scarabeo ha progettato per completare e
arricchire l'ecclettica collezione di lavabi Moon.
Una collezione che contempla un'ampia varietà
di figure caratterizzate da un'anima sottile
ma dalle dimensioni generose.

Its essential elegance will draw your attention,
just like a DIVA. It offers a refined vision and
multiple concealed qualities for you to discover.

DIVA is the new bathroom furniture concept
designed by Scarabeo to complete the
eclectic Moon washbasin collection.
The range includes a large variety of figures
characterized by a refined soul
and generous dimensions.



Art. 2702 _NROP
L44 P39 H77,5 Cm
Consolle per lavabo
Washbasin console

Art. 2705 _87
L39,5 P35 H20 Cm
Cassetto
Drawer

Art. 2206
70 x 40 Cm
Specchio ovale retroilluminato
Oval backlit mirror

Washbasin
MOON 42 H18
Art. 5501 _41
42 x 42 Cm



DIVI







Art. 2702 _NROP
L44 P39 H77,5 Cm
Consolle per lavabo
Washbasin console

Art. 2711 _97
L39,5 P35 H30 Cm
Cassetto
Drawer

Art. 2207
100 x 45 Cm
Specchio ovale retroilluminato
Oval backlit mirror

DIV2

Washbasin
MOON 42R H18
Art. 5504 _41
42 x 42 Cm

Diva

DIVA sposa il piacevole contrasto dato dall'ampiezza del bacino e la leggerezza dei bordi tratto distintivo di tutta la collezione Moon presentandosi con una struttura tubolare in metallo capace di accogliere con carattere e personalità la presenza importante del lavabo creando un connubio di perfetta armonia delle forme.

DIVA is characterized by a pleasing contrast between the wide size of the bowl and the fineness of its edges, which is a distinguishing feature of the Moon collection. The tubular metal structure holds the impressive presence of the washbasin with a strong personality, creating a perfect harmony of shapes.



DIV3



DIV3

Art. 2701 _NROP
L44 P39 H63,5 Cm
Consolle per lavabo
Washbasin console

Art. 2707 _87
L32,5 P26,5 H2 Cm
Ripiano in legno
Wooden shelf

Art. 2704 _NROP
L45 H90 Cm
Specchio attrezzato
Equipped mirror

Washbasin
MOON 42 H40
Art. 5503 _41
42 x 42 Cm



DIVA si inserisce nei contesti più svariati grazie alla possibilità di scegliere tra tre varianti cromatiche del metallo, Nero opaco, Grigio e Tortora, e una proposta di soluzioni contenitive e funzionali come mensole e cassetti in legno nelle essenze dell 'Alpaca, Cesio verde, Macassar, Rovere Brizzo e Rovere Nodato.

A queste si aggiunge l'opzione delle mensole in ceramica smaltata nelle finiture Pearl, Ardesia, Lava, Tabacco, Sand, Ocean, Antique Pink e Musk

DIVA can be integrated in the most diverse settings, being available in three metal finishes, matt Black, Gray and Dove Gray. The shelves and drawers offer their functional solutions in Alpaca, Cesio verde, Macassar, Rovere Brizzo and Rovere Nodato wood essence.

Shelves are also available in enameled ceramic with Pearl, Slate grey, Lava, Tabacco, Sand, Ocean, Antique Pink and Musk finish.

Diva







DIV4





Art. 2701 _NROP
L44 P39 H63,5 Cm
Consolle per lavabo
Washbasin console

Art. 2705 _89
L39,5 P35 H20 Cm
Cassetto
Drawer

Art. 2206
70 x 40 Cm
Specchio ovale retroilluminato
Oval backlit mirror

DIV4

Washbasin
MOON 42 H40
Art. 5503 _56
42 x 42 Cm

Art. 2703 _GRG
L74,5 P39 H77,5 Cm
Consolle per lavabo
Washbasin console

Art. 2710 _41
L72 P42 H1,5 Cm
Ripiano in ceramica
Ceramic shelf

Art. 2202
Ø70 Cm
Specchio tondo retroilluminato
Round backlit mirror

DIV5

Washbasin
MOON 71 H18
Art. 5502 _41
72 x 42 Cm





DIV5B



DIV5B

Washbasin
MOON 70R H18
Art. 5505 _41
72 x 42 Cm





DIVA è una proposta dinamica e raffinata, perfetta per ogni tipologia di sala da bagno, anche di piccole dimensioni. Le numerose possibilità di abbinamento di lavabi, finiture, legni e colori porta le possibili configurazioni a raggiungere oltre 100 soluzioni diverse.

DIVA is a dynamic, refined proposal and is the perfect solution for all types of bathroom, also in a limited space. The multiple combinations of wash basins, finishes, wood essences and colours give life to over 100 different solutions.

Diva







DIV6





DIV7

Art. 2703 _GRG
L74,5 P39 H77,5 Cm
Consolle per lavabo
Washbasin console

Art. 2716 _41
L72 P42 H1,5 Cm
Ripiano in ceramica per Art. 2703
con predisposizione per lavabi GLAM
Ceramic shelf for Art. 2703 ready
for installation in GLAM washbasins

Art. 2706 _88
L70 P35 H20 Cm
Cassetto
Drawer

Art. 2207
100 x 45 Cm
Specchio ovale retroilluminato
Oval backlit mirror

Washbasin
GLAM Ø39
Art. 1807 _ 49
Ø39 Cm



Diva CONFIGURATOR



Art. 5503



Art. 5501



Art. 5504

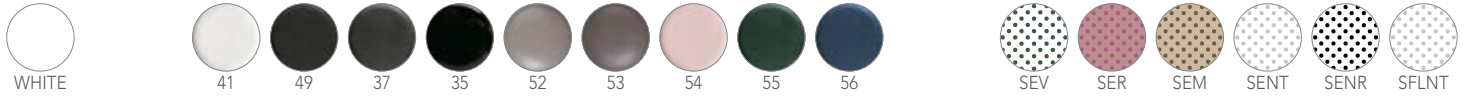


Art. 5502



Art. 5505

WASHBASIN MOON



Art. 1808



Art. 1807

WASHBASIN GLAM



Art. 2701



Art. 2702



Art. 2703



Art. 2704

CONSOLE / EQUIPPED MIRROR



Art. 2707



Art. 2708



Art. 2705



Art. 2706



Art. 2711



Art. 2712

WOODEN DRAWER / SHELF



Art. 2709



Art. 2710



Art. 2715 / 2716 / 2717

CERAMIC SHELF





Art. 5503
Art. 2701
Art. 2705



Art. 5503
Art. 2701
Art. 2711



Art. 5503
Art. 2701
Art. 2707



Art. 5503
Art. 2701
Art. 2709



Art. 5501 / 5504
Art. 2702
Art. 2705



Art. 5501 / 5504
Art. 2702
Art. 2711



Art. 5501 / 5504
Art. 2702
Art. 2707



Art. 5501 / 5504
Art. 2702
Art. 2709



Art. 5502 / 5505
Art. 2703
Art. 2706



Art. 5502 / 5505
Art. 2703
Art. 2712



Art. 5502 / 5505
Art. 2703
Art. 2708



Art. 5502 / 5505
Art. 2703
Art. 2710



Art. 1808 / 1807
Art. 2715 / 2716 / 2717
Art. 2703 - Art. 2706



Art. 1808 / 1807
Art. 2715 / 2716 / 2717
Art. 2703 - Art. 2712



Art. 1808 / 1807
Art. 2715 / 2716 / 2717
Art. 2703 - Art. 2708



Art. 1808 / 1807
Art. 2715 / 2716 / 2717
Art. 2703 - Art. 2710

FUJI

by Emo Design

La consolle Fuji, inizialmente pensata per offrire una soluzione di sostegno al lavabo Fuji, si evolve arricchendosi di un piano in legno, estendendo così la sua funzione a tutta la gamma di lavabi da appoggio Scarabeo.

Disponibile in due dimensioni da 59 e 79 cm, presenta una struttura in tondino di ferro verniciato bianco o nero opaco e offre la possibilità di scegliere il ripiano in cinque essenze lignee diverse (Alpaca, Cesio verde, Macassar, Rovere Brizzo e Rovere Nodato).

The Fuji console table, which was originally designed for the Fuji washbasin, is enriched with a wooden top to receive the entire range of Scarabeo lay-on washbasin.

It is available in two sizes, 59cm and 79cm, and features an iron-rod structure with white or matt black finish and a shelf in five wood essences (Alpaca, Cesio verde, Macassar, Rovere Brizzo and Rovere Nodato).





Art. 6016 _49 _89

L59 P44 H75 Cm

Consolle 59 cm con top in legno

59 cm table with wooden top

Art. 2202

Ø70 Cm

Specchio tondo retroilluminato

Round backlit mirror

Art. 2713 _NROP _49

L30 Cm

Porta asciugamani con

mensola in ceramica

Towel rail with ceramic shelf

FUJ

Washbasin

GLAM Ø39

Art. 1807 _53

Ø39 Cm





Essenziale, sobria e versatile, la consolle Fuji si abbina a venti tipologie di lavabi Scarabeo, ognuno dei quali prodotto in 9 colorazioni diverse.

The Fuji console table is essential, clean and versatile and can be combined with twenty models of Scarabeo washbasins in 9 colour finishes.

FUJI

FUJI



Art. 6016_BS_88
L59 P44 H75 Cm
Consolle 59 cm con top in legno
59 cm table with wooden top

Art. 2201
Ø50 Cm
Specchio tondo retroilluminato
Round backlit mirror

Washbasin
GLAM Ø39
Art. 1807_41
Ø39 Cm

Wall Covering
Art. PO106







FU2

Art. 6018 _49 _89

L79 P44 H75 Cm

Consolle 79 cm con top in legno

79 cm table with wooden top

Art. 2202

Ø70 Cm

Specchio tondo retroilluminato

Round backlit mirror

FU3

Washbasin

GLAM Ø39

Art. 1807 _41

Ø39 Cm

Wall Covering

Art. PO105







FU3

Washbasin
GLAM 56/R
Art. 1802_56
56 x 38 Cm



FU3



Art. 6018 _49 _88

L79 P44 H75 Cm

Consolle 79 cm con top in legno
79 cm table with wooden top

Art. 2202

Ø70 Cm

Specchio tondo retroilluminato
Round backlit mirror

Art. 2714 _NROP _52

L45 Cm

Porta asciugamani con mensola
Towel rail with ceramic shelf

FU4

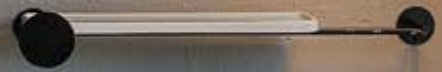
Washbasin

GLAM 56

Art. 1804 _52

56 x 39 Cm





TOPLINE

by Scarabeo

L'acciaio, le venature del legno,
un gioco di contrasti e opposizioni.

Nuovi stimoli per la vista, per il tatto,
per il senso dell'abitare.

Rigore formale, eleganza e totale
componibilità, Line disegnata
da Massimiliano Braconi
e Giovanni Calisti.

Steel, veined wood, a play of
contrasts and opposites.

New stimulants for the eyes, touch
and feeling for living.

Formal rigour, elegance for
a totally modular series.
A line designed by
Massimiliano Braconi
and Giovanni Calisti.



Art. 522 _85
L150 P50 H12 Cm
Top
Top

x2 - Art. 2905 _NROP
44 x 20 P45,5 Cm
Contenitore metallico 45,5 cm
Metal container 45.5 cm

Art. 2201
Ø50 Cm
Specchio tondo retroilluminato
Round backlit mirror

Art. 2113
120 x 50 Cm
Specchio rettangolare
Rectangular mirror

Washbasin
GLAM Ø39
x2 - Art. 1807 _52
Ø39 Cm



TLN1







Art. 522_85
L150 P50 H12 Cm
Top
Top

Art. 2914_NROP
44 x 20 P43,5 Cm
Contenitore metallico 43,5 cm
Metal container 43.5 cm

Art. 2907_87
L79 P43,5 H20 Cm
Cassetto 79 x h20 cm
Drawer 79 x h20 cm

Art. 2204
80 x 60 Cm
Specchio ovale retroilluminato
Oval backlit mirror

TLN2

Washbasin
TEOREMA 2.0 80
Art. 5102_49
80 x 40 Cm





TLN2

Art. 520_85
L90 P50 H12 Cm
Top
Top

Art. 2206
70 x 40 Cm
Specchio ovale retroilluminato
Oval backlit mirror

TLN3

Washbasin
GLAM 56/R
Art. 1802_55
56 x 38 Cm





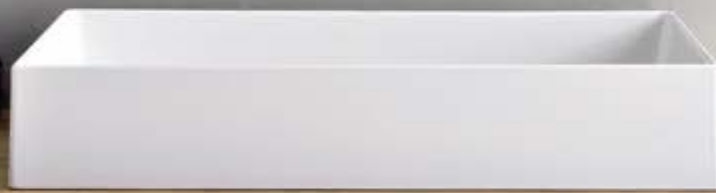


TLN3



TOP
LINE





Art. 522 _83
L150 P50 H12 Cm
Top
Top

Art. 526 _83
100 x 50 Cm
Specchio rettangolare
Rectangular mirror

Art. 525
Applique
Applique

TLN4

Washbasin
TEOREMA 2.0 80
Art. 5102
80 x 40 Cm

Art. 521 _84
L120 P50 H12 Cm
Top
Top

Art. 526 _84
100 x 50 Cm
Specchio rettangolare
Rectangular mirror

Art. 525
Applique
Applique

TLN5

Washbasin
TEOREMA 2.0 46R
Art. 5104
46 x 46 Cm



frame

by Emo Design

Materico, contemporaneo e versatile, il sistema di arredo Frame, disegnato da Emo design, è caratterizzato dall'abbinamento tra l'essenza del legno e la struttura in tubolare metallico che dona un tocco personale alla collezione.

Material, contemporary and versatile, the Frame furnishing system designed by Emo design combines the essence of wood with the tubular metal structure which gives a personal touch to the collection.





Art. 1837 _NROP_88
L60 P50 H35 cm
Struttura porta lavabo con cassetto
Tubular washbasin frame with drawer

Art. 1839 _NROP_88
L35 P20 H90 cm
Pensile con porta asciugamani integrato
Tubular wall unit with built-in towel rail

Art. 1841
Ø50 cm
Specchio tondo
Round mirror

FRM1

Washbasin
Ovo
Art. 8011
41 x 33,5 cm

Art. 1833 _NROP _87
L90 P50 H35 cm
Struttura porta lavabo con mensola
Tubular washbasin frame with shelves

Art. 1839 _NROP _87
L35 P20 H90 cm
Pensile con porta asciugamani integrato
Tubular wall unit with built-in towel rail

Art. 1841
Ø50 cm
Specchio tondo
Round mirror

FRM2

Washbasin
Glam Ø33
Art. 1808
Ø33 cm









FRM3



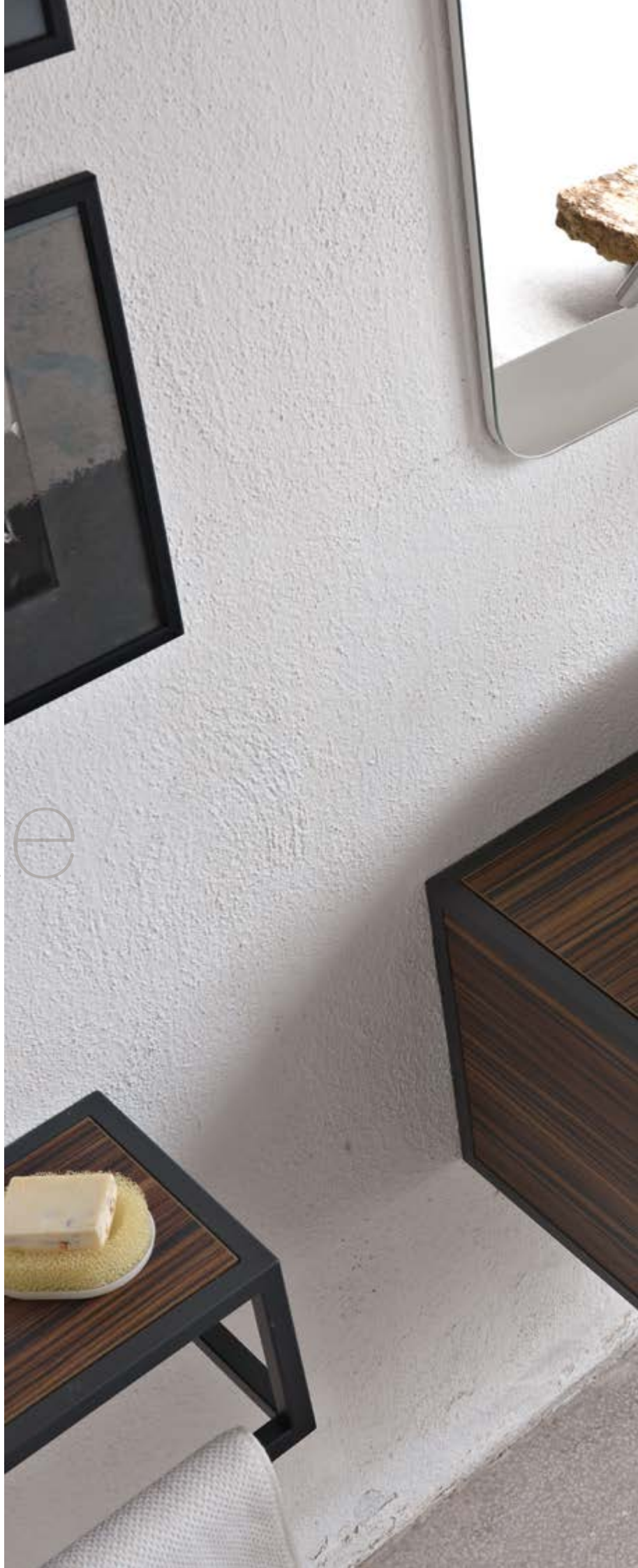
frame

Frame è una soluzione pensata per tutti i lavabi da appoggio proposta per arredare la stanza da bagno con un'atmosfera unica firmata Scarabeo.

Oltre alle versioni in legno, sono disponibili delle ulteriori finiture morbide al tatto, anti impronta e altamente resistenti al graffio. Perfette dunque per arredare l'ambiente bagno con estrema funzionalità.

Frame is a solution designed for all lay-on washbasins to create a bathroom with a unique Scarabeo atmosphere.

Other finishes are available in addition to the wooden version, soft to the touch, anti-fingerprint and highly resistant to scratches. It is therefore perfect to furnish an extremely functional bathroom.





FRM4

Art. 1835 _NROP _87

L90 P50 H35 cm

Struttura porta lavabo con doppia anta
Tubular washbasin frame with double door

Art. 1839 _NROP _87

L35 P20 H90 cm

Pensile con porta asciugamani integrato
Tubular wall unit with built-in towel rail

Art. 1840 _NROP _87

L35 P20 H24 cm

Mensola con porta asciugamani integrato
Shelf with built-in towel rail

Art. 1842

80 x 70 cm

Specchio rettangolare
Rectangular mirror

FRM4

Washbasin

Glam 56/R

Art. 1802

56 x 38 cm



Volumi vuoti e pieni si alternano in
una composizione ordinata e razionale
ma allo stesso tempo flessibile.

La composizione include
una base sospesa a parete
in tre dimensioni, un pensile
ed un portasciugamani.

Empty and full volumes alternate
in an orderly and rational composition
which is still extremely flexible.

The composition includes
a three-dimensional,
wall-suspended base,
a wall unit and a towel rail.

frame





Art. 1830 _BS_90
L120 P50 H35 cm
Struttura porta lavabo con mensola
Tubular washbasin frame with shelves

Art. 1840 _BS_90
L35 P20 H24 cm
Mensola con porta asciugamani integrato
Shelf with built-in towel rail

Art. 1841 x2
Ø50 cm
Specchio tondo
Round mirror

FRM5

Washbasin
Glam Ø39
Art. 1807
Ø39 cm

Art. 1831 _BS_91

L120 P50 H35 cm

Struttura porta lavabo con cassetto
Tubular washbasin frame with drawer

Art. 1839 _BS_91

L35 P20 H90 cm

Pensile con porta asciugamani integrato
Tubular wall unit with built-in towel rail

Art. 1840 _BS_91

L35 P20 H24 cm

Mensola con porta asciugamani integrato
Shelf with built-in towel rail

Art. 1842

80 x 70 cm

Specchio rettangolare
Rectangular mirror

Washbasin

Glam 76

Art. 1803

76 x 39 cm



FRM16



Washbasin
Teorema 2.0 60
Art. 5101 _ 53
60 x 40 cm



FRM16b





SCARABEO

Frame ripensa il bagno in modo trasversale, considerando non solo la stanza da bagno contemporanea ma anche quella tradizionale, permettendone l'inserimento sia in ambito contract che abitativo.

Frame is an overarching redesign of the bathroom, as it combines the idea of a contemporary and a traditional bathroom, making it ideal for both contract projects and private homes.

frame









Art. 1834 _NROP _89

L90 P50 H35 cm

Struttura porta lavabo con cassetto

Tubular washbasin frame with drawer

Art. 1842

80 x 70 cm

Specchio rettangolare

Rectangular mirror

FRM18

Washbasin

Glam 56

Art. 1804

56 x 39 cm



FRM8



frame 2.0

by Emo Design

Frame 2.0 è l'evoluzione della collezione che prevede accorgimenti eco-sostenibili e l'introduzione di nuovi elementi e finiture.

Frame 2.0 presenta una struttura autoportante in estruso di alluminio nero, riciclabile al 100%, composta da più parti assemblabili da cui ne consegue una riduzione dei volumi di trasporto e quindi un ridotto impatto ambientale.

Frame 2.0 is the evolution of the Frame collection with eco-friendly features, new elements and new finishes.

The 100% recyclable, self-standing structure of black extruded aluminium is composed of modular parts to guarantee a low environmental impact and a compact volume during transportation.







FR201

Art. 1846 _NROP _88
L90 P50 H75 Cm
Struttura porta lavabo in alluminio
90 cm con gambe e porta
asciugamani DX
90 cm aluminium washbasin frame
with legs and RH towel rail

Art. 2201
Ø50 Cm
Specchio tondo retroilluminato
Round backlit mirror

Washbasin
GLAM Ø39
Art. 1807 _ FSNR
Ø39 Cm

Wall Covering
Art. PO102





FR201

frame 2.0

Alla già esistente soluzione a sospensione, si aggiunge la versione con elementi a terra, dotati di doppia mensola, porta asciugamani a destra o a sinistra e disponibili in due misure (cm 60 e cm 90), che rendono Frame 2.0 perfettamente idonea per l'utilizzo nel contract dove le normative di sicurezza sono maggiormente restrittive.

In addition to the suspended solution, the version with floor elements, two shelves and RH or LH towel rail (60cm and 90 cm) is the perfect solution for the contract sector where safety standards are stricter.

Washbasin
MOON 42 H18
Art. 5501 _ SEM
42 x 42 Cm





FR201





FR202



Washbasin
MOON 42 H18
Art. 5501 _ 52
42 x 42 Cm

La ricerca della versatilità si concretizza nella possibilità di scegliere i ripiani in 5 essenze diverse (Alpaca, Cesio verde, Macassar, Rovere Brizzo e Rovere Nodato) e nell'opportunità di abbinamento di oltre 100 tipologie di lavabi Scarabeo disponibili in 9 colorazioni diverse.

The shelves are available in 5 wood essences (Alpaca, Cesio verde, Macassar, Rovere Brizzo and Rovere Nodato) and over 100 models of Scarabeo washbasins in 9 different chromatic finishes can be combined with the structure for maximum versatility.

frame 2.0



Art. 1844 _NROP_97
L60 P50 H75 Cm
Struttura porta lavabo in alluminio
60 cm con gambe e porta
asciugamani DX
60 cm aluminium washbasin frame
with legs and RH towel rail





Art. 1845 _NROP _96

L60 P50 H75 Cm

Struttura porta lavabo in alluminio

60 cm con gambe e porta asciugamani SX

60 cm aluminium washbasin frame with legs and LH towel rail

Art. 2201

Ø50 Cm

Specchio tondo retroilluminato

Round backlit mirror

FR203

Washbasin

GLAM Ø39

Art. 1807 _ 49

Ø39 Cm

Wall Covering

Art. PO104



FR203





PHORMA

by Scarabeo

La suggestione prende forma dalla volontà di ideare una collezione che privilegia l'idea di efficienza e praticità. Il design gioca su linee essenziali che donano un carattere dinamico all'oggetto. Le finiture della struttura, le conferiscono un'identità capace di adeguarsi alle molteplici visioni del bagno.

Ideas take shape with the creation of a collection which favours efficiency and practicality. The design is based on simple lines which give the object a dynamic personality. The finishes give the structure its own identity, which can be adapted to a variety of bathroom concepts.



Washbasin
Glam 56/R
Art. 1802
56 x 38 cm

Art. 2100 _95
L70 P50 H50 cm
Base lavabo 2 cassetti
2-drawer washbasin vanity unit

Art. 2110 _93
L120 - H1,8 cm
Top

Art. 2105 _93 x2
L25 P50 H50 cm
Base a giorno
Open-fronted vanity unit

Art. 2109 _95
L25 P20,8 H75 cm
Pensile a giorno
Open-fronted wall unit

Art. 2111
70 x 50 cm
Specchio
Mirror

Art. 2117
Lampada led
led lamp

PHORMA

Washbasin
Teorema 60R
Art. 8031/R-60
60 x 46 cm





Art. 2101 _94
L95 P50 H50 Cm
Base lavabo 2 cassettei
2-drawer washbasin vanity unit

Art. 2110 _94
L145 - H1,8 cm
Top

Art. 2104DX _94
L50 P50 H50 cm
Base 1 anta
1-door vanity unit

Art. 2109 _94
L25 P20,8 H75 cm
Pensile a giorno
Open-fronted wall unit

Art. 2111
70 x 50 cm
Specchio
Mirror

Art. 2117
Lampada led
led lamp

PHORMA2

Washbasin
Teorema 2.0
Art. 5105
60 x 46 cm





PHRM12



SCARABED®



Washbasin
Teorema 2.0 60
Art. 5101 _35
60 x 40 Cm

Può dirsi contemporaneo solo il bagno che nel disegno di ogni suo singolo modulo esprime una visione che sarà sempre attuale. Phorma con le sue inedite combinazioni di forme, colori, finiture e dettagli crea atmosfere eleganti e coinvolgenti, trasformando il bagno in un luogo di benessere e relax.

Una immagine ricercata e contemporanea anche nei dettagli. Grandi cassetti e ampi vani ad anta per il contenimento degli oggetti di uso più frequente.

A bathroom is only contemporary when each individual element of its design expresses a timeless vision. With its unprecedented combinations of shapes, colours, finishes and details, Phorma creates elegant and captivating atmospheres, turning the bathroom into a place for well-being and relaxation.

A refined and contemporary image, even in the details. Large drawers and cupboards to keep the most frequently used objects.

PHORMA

Art. 2102_F1
L120 P50 H50 Cm
Base lavabo 2 cassetti
2-drawer washbasin vanity unit

Art. 2110_93
L170 - H1,8 cm
Top

Art. 2105_93 x2
L25 P50 H50 cm
Base a giorno
Open-fronted vanity unit

Art. 2109_93 x2
L25 P20,8 H75 cm
Pensile a giorno
Open-fronted wall unit

Art. 2114
70 x 75 cm
Specchio
Mirror

Art. 2117
Lampada led
led lamp

PHORMA3

Washbasin
Glam 76/R
Art. 1801
76 x 38 cm





Art. 2102_93
L120 P50 H50 Cm
Base lavabo 2 cassetti
2-drawer washbasin vanity unit

Art. 2110_93
L170 - H1,8 cm
Top

Art. 2105_93 x2
L25 P50 H50 cm
Base a giorno
Open-fronted vanity unit

Art. 2109_93 x2
L25 P20,8 H75 cm
Pensile a giorno
Open-fronted wall unit

Art. 2114
70 x 75 cm
Specchio
Mirror

Art. 2117
Lampada led
led lamp

PHORMA4

Washbasin
Glam 76/R
Art. 1801
76 x 38 cm







Washbasin
Glam 76
Art. 1803
76 x 39 cm

Phorma è una collezione dalle molteplici sfaccettature. Le forme, le dimensioni e le varie finiture creano un gioco di ritmi e di combinazioni.

La versatilità e la disponibilità di oltre 70 composizioni, si adatta perfettamente agli ambienti bagno grandi e piccoli senza rinunciare alla sua lineare eleganza.

Phorma is a multi-faceted collection. The shapes, dimensions and various finishes create a perfect balance of rhythms and combinations.

The versatility and availability of over 70 compositions means it can be adapted to large and small bathrooms without losing its elegant lines.

PHORMA

Art. 2101 _95
L95 P50 H50 cm
Base lavabo 2 cassetti
2-drawer washbasin vanity unit

Art. 2110 _95
L170 - H1,8 cm
Top

Art. 2105 _95 x2
L25 P50 H50 cm
Base a giorno
Open-fronted vanity unit

Art. 2103SX _95
L25 P50 H50 cm
Base 1 anta
1-door vanity unit

Art. 2118 _95
L50 P20,8 H75 cm
Pensile 2 ante
2-door wall unit

Art. 2116
120 x 75 cm
Specchio
Mirror

Art. 2117
Lampada led
led lamp

Washbasin
Teorema 2.0 80
Art. 5102 _49
80 x 40 cm



PHORMA5







PHRM5

PHORMA

Composizioni che esprimono
semplicità, equilibrio e
simmetria, superfici bianche
che dialogano con materiali
dalle texture preziose.
Filosofia progettuale decisa ma
che lascia a ciascuno ampi
spazi di personalizzazione.

The compositions are simple,
balanced and symmetrical,
white surfaces combined with
beautifully textured materials.
A precise design philosophy
still leaves plenty of room for
customisation.







Art. 2100 _95 x2
L70 P50 H50 cm
Base lavabo 2 cassette
2-drawer washbasin vanity unit

Art. 2110 _95
L215 - H1,8 cm
Top

Art. 2105 _93 x3
L25 P50 H50 cm
Base a giorno
Open-fronted vanity unit

Art. 2110DX/2110SX _95
L25 P20,8 H75 cm
Pensile 1 anta
1-door wall unit

Art. 2109 _95
L25 P20,8 H75 cm
Pensile a giorno
Open-fronted wall unit

Art. 2111 x2
70 x 50 cm
Specchio
Mirror

Art. 2117 x2
Lampada led
led lamp

PHORMA

Washbasin
Teorema 2.0 60R
Art. 5105 x2
60 x 46 cm

DecorLAB

by Scarabeo

I nuovi pattern, estetici e scultorei, della ceramica Scarabeo

Insita nel DNA di Scarabeo Ceramiche, la continua ricerca di standard qualitativi ed estetici prosegue con il concept legato al mood DecorLab: un'esplorazione sperimentale che si estende al campo della decorazione attraverso tutte le valenze tecnologiche che offre questo tipo di applicazione.

The new shapes and patterns of Scarabeo ceramics

Constant research into quality and visual standards has always been an intrinsic part of Scarabeo Ceramiche and it is continuing with the concept of the DecorLab mood: an experimental exploration that applies to decoration all the technologies that this type of application offers.



SCARABEO





FULL POIS
_ SFLNT NEUTRAL



LINE

_ RENR BLACK





FULL POIS
_ SFLNR BLACK



POIS STRIP
_ FSNR BLACK

Nascono così quattro nuove tipologie di decori applicati alla ceramica, garantiti per effetti estetici e scultorei, valorizzati da combinazioni inesplorate e di sicuro impatto visivo.

This has resulted in four new types of ceramic decoration, with guaranteed effects in terms of appearance and shape, enhanced by innovative combinations with an undeniable visual impact.

Decor The logo for DecorLAB, featuring a stylized 'L' and 'B' intertwined in a white, hand-drawn style.





LINE

_ REV GREEN







LINE
_ REV GREEN





Una nuova idea di sala da bagno,
elegante e personalizzata, capace di
trasformare l'ambiente in un luogo unico e
di assoluta tendenza.

A new idea for an elegant and
personalised bathroom, transformed into a
unique and trendy setting.

Decor The logo consists of a stylized, handwritten-style 'L' followed by a stylized 'a' and a stylized 'B'. The 'L' is formed by a single continuous line that curves at the top and bottom. The 'a' is a simple, rounded shape. The 'B' is a large, bold, rounded shape with a vertical line through its center.

LINE

_ RER PINK



LINE STRIP
_RRR PINK

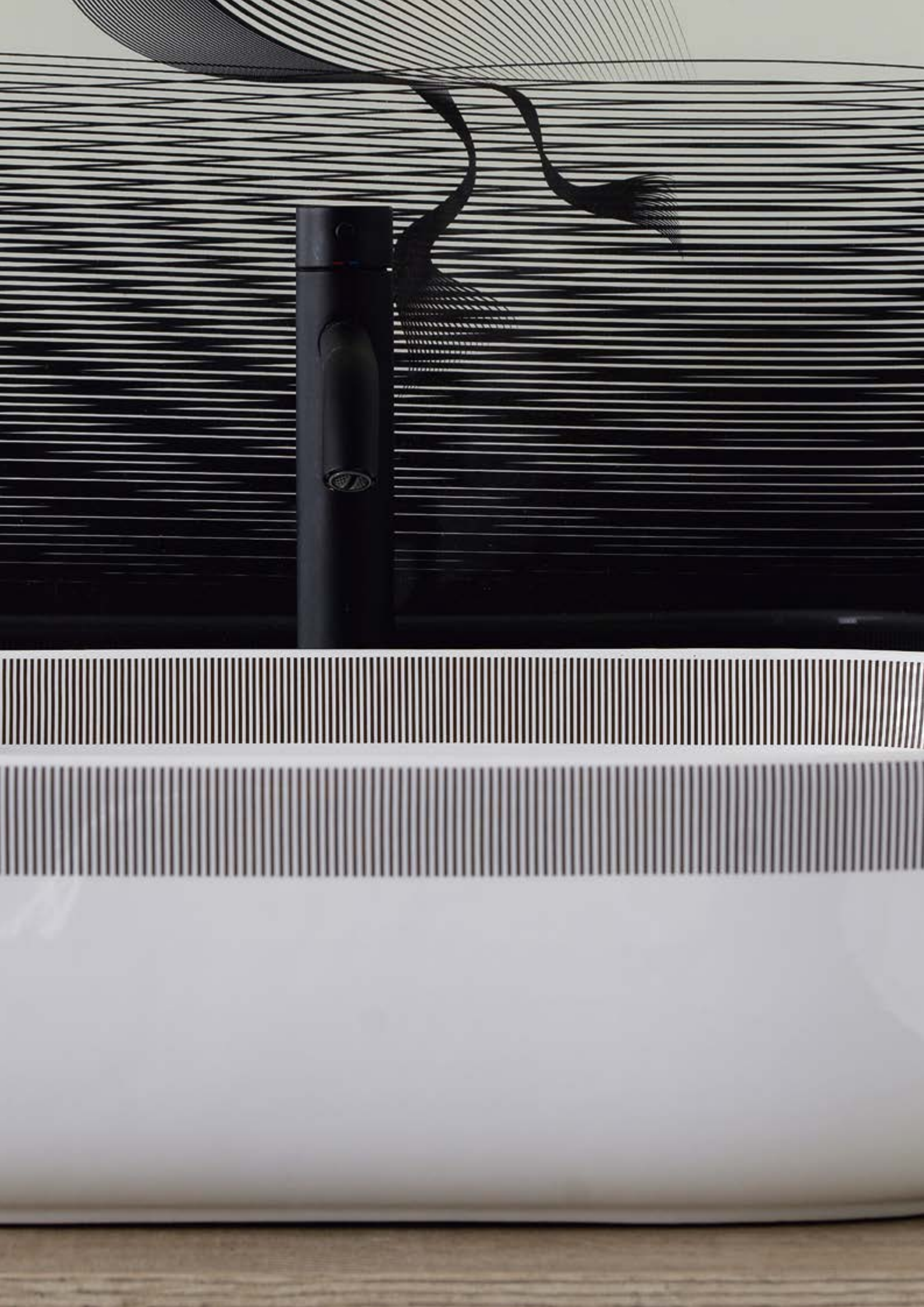








POIS
_SER PINK



LINE STRIP
_RRM BROWN







POIS STRIP
_ FSM BROWN



POIS
_ SEM BROWN





L'idea di un bagno bello, elegante e funzionale che rispecchi lo stile, il carattere e la personalità di chi lo sceglie è sempre stato l'obiettivo primario di Scarabeo: dare forma alla ceramica ed interpretarla con intuizione e creatività, seguendo le tendenze e le linee guida del design contemporaneo.

The creation of a beautiful, elegant, functional bathroom, in line with the style, character and personality of its users, has traditionally been our priority: we want to shape and interpret ceramics with intuition and creativity, following the main trends and guidelines of contemporary design.

COLORS

by Scarabeo













55
_ MUSK

Scarabeo prosegue così nel suo percorso e amplia la propria offerta ponendo l'accento sul fascino del colore. Alla ceramica bianca, nobile, classica e senza tempo, affianca nuove colorazioni particolari e ricche di attrattiva.

Scarabeo continues its journey, enlarging its offer with charming colours. The timeless, classic nobility of white ceramics is combined with especially attractive new chromatic features.

COLORS





56

— OCEAN







41

_ PEARL



41

_ PEARL



COLORS

Dopo le recenti finiture Pearl, Ardesia, Lava, Night, Sand e Tabacco, sobrie, materiche e di ispirazione alla terra e alla natura, Scarabeo propone tre nuove cromie raffinate e di notevole impatto, applicabili ad oltre 60 tipologie diverse di lavabi e sanitari.

Antique Pink, delicato e femminile per un bagno di tendenza romantica. Musk, un bel verde scuro opaco per un ambiente rigoroso e di carattere. Ocean, rilassante e volitivo, un blu mare profondo per immergersi in una nuova dimensione bagno.

After Pearl, Ardesia, Lava, Night, Sand and Tobacco - our simple material finishes inspired in the Earth and nature - Scarabeo presents three new refined, impacting colours that are available for 60 different types of washbasins and sanitary fittings.

Antique Pink, a delicate, feminine colour for a romantic bathroom. Musk, a beautiful matt dark green for a characteristic, rigorous bathroom space. Ocean, a relaxing, strong, deep blue for an immersion into a new bathroom dimension.













35
_ NIGHT



La notevole gamma di collezioni di lavabi e sanitari unita ad un'ampia scelta di sistemi di arredobagno, di decori e di colorazioni, consentono di creare una sala da bagno su misura, efficiente e ad altissimo livello di personalizzazione.

The wide range of washbasins and sanitary fittings and the large offer of bathroom interior decoration items in different colour finishes create a tailored bathroom space that is functional and highly personalized at the same time.

COLORS





52
_ SAND



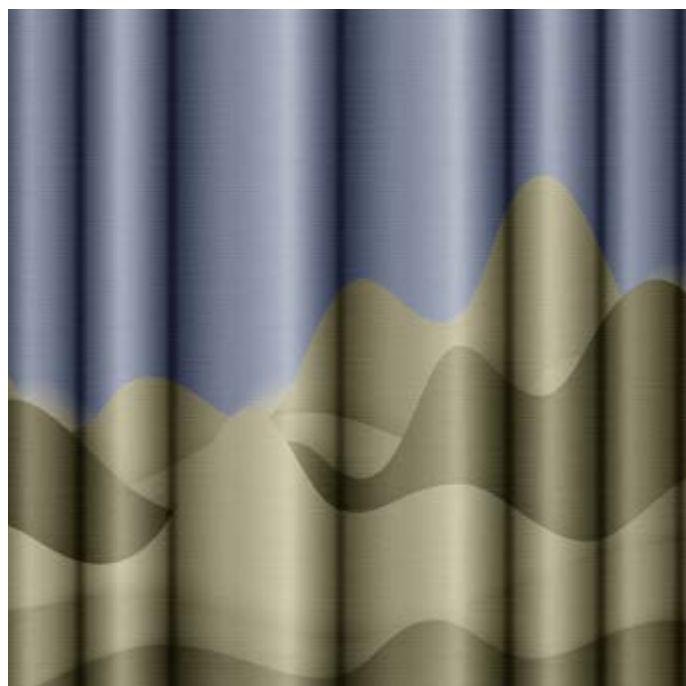


53

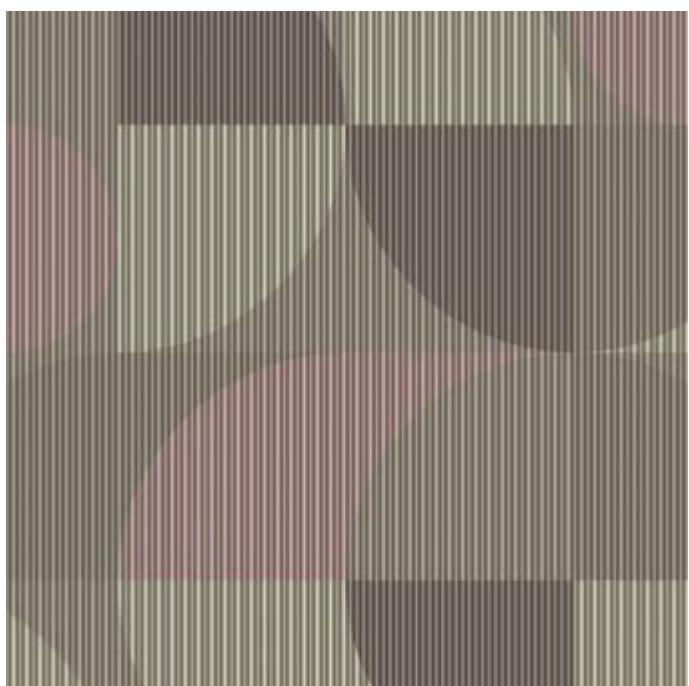
_TOBACCO



Art. PO101



Art. PO102



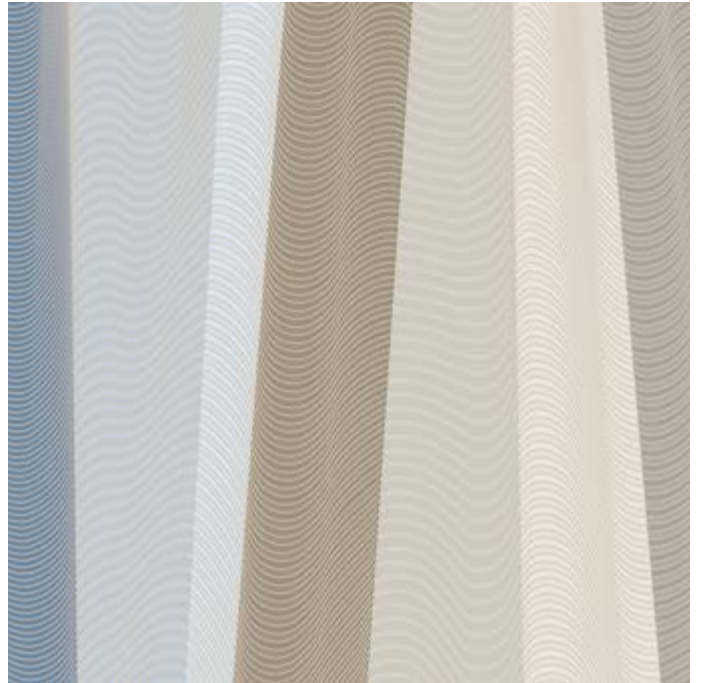
Art. PO103

Wall Covering





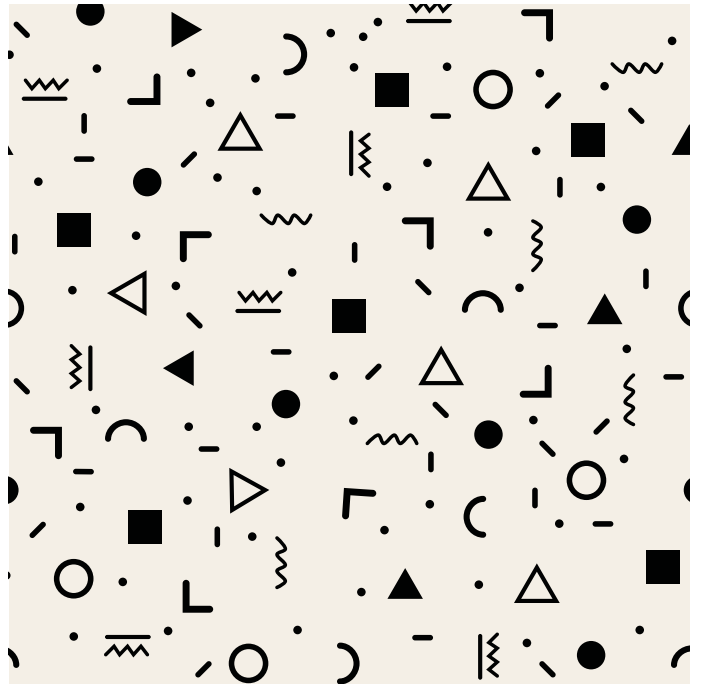
Wall Covering



Art. PO104



Art. PO105



Art. PO106

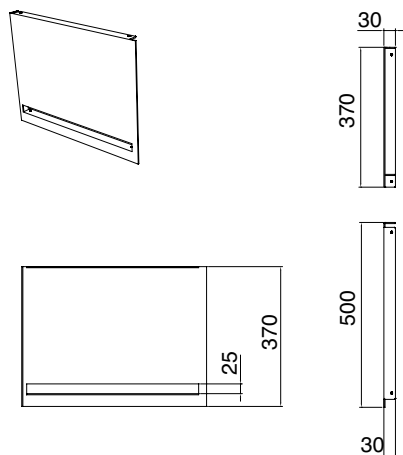
381	Slide
382	Able
383	Solid
385	Cross
386	Plana
387	Fold
388	Diva
391	Fuji
392	Top Line
393	Frame
396	Frame 2.0
397	Phorma

SPECIFICATIONS

SLIDE

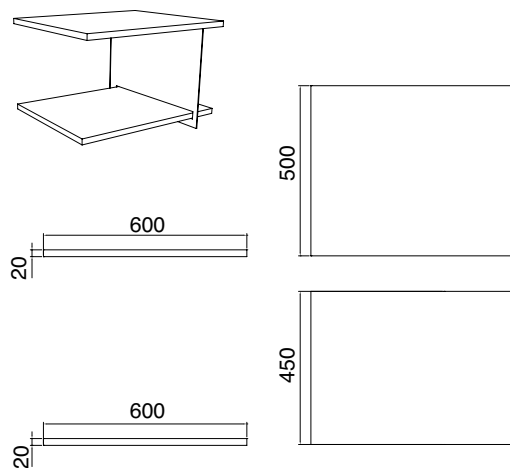
SLIDE Art. 2310 / 2311 - P50 H37 Cm

Coppia fianchi / Fianco singolo per rompitratta
Pair of sides / Single supporting side
Côté (2 pc) / Côté simple pour boîte de jonction
Paar Seitenwände / Einzelne Seitenwand für Stützelement
Par de laterales / Lateral simple de sostén
Пара боковых панелей / Одна боковая панель для опорной поперечины



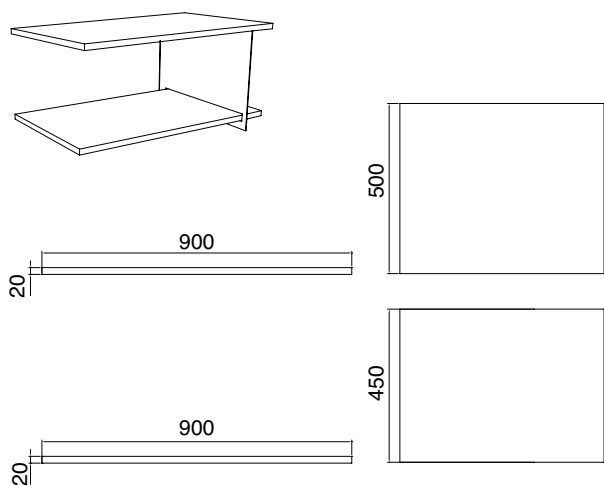
SLIDE Art. 2312 - L60 P50 H2 Cm

Coppia piano 60 cm
Pair of 60 cm tops
Plan 60 cm (2 pc)
Paar Tops, 60 cm
Par encimera 60 cm
Пара столешниц 60 см



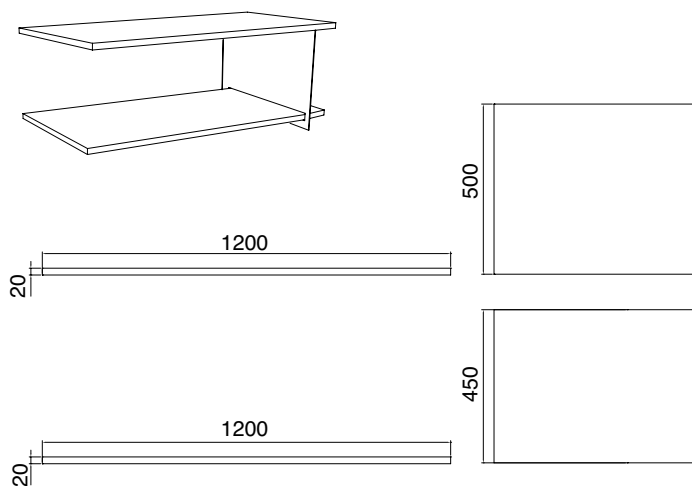
SLIDE Art. 2313 - L90 P50 H2 Cm

Coppia piano 90 cm
Pair of 90 cm tops
Plan 90 cm (2 pc)
Paar Tops, 90 cm
Par encimera 90 cm
Пара столешниц 90 см



SLIDE Art. 2314 - L120 P50 H2 Cm

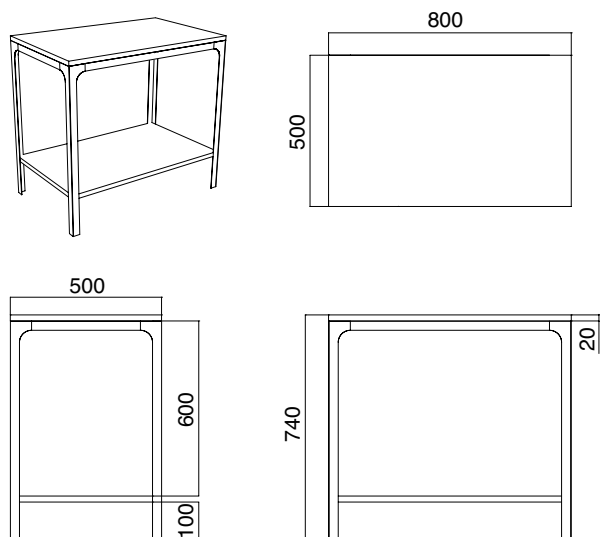
Coppia piano 120 cm
Pair of 120 cm tops
Plan 120 cm (2 pc)
Paar Tops, 120 cm
Par encimera 120 cm
Пара столешниц 120 см



ABLE

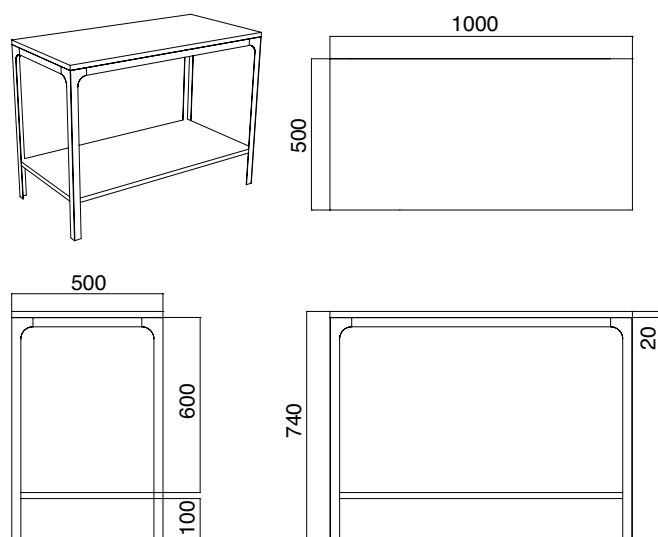
ABLE Art. 2401 - L80 P50 H74 Cm

Consolle porta lavabo 80 cm
80 cm washbasin table
Console porte-lavabo 80 cm
Waschtisch 80 cm
Consola para lavabo 80 cm
Консоль для умывальника 80 см



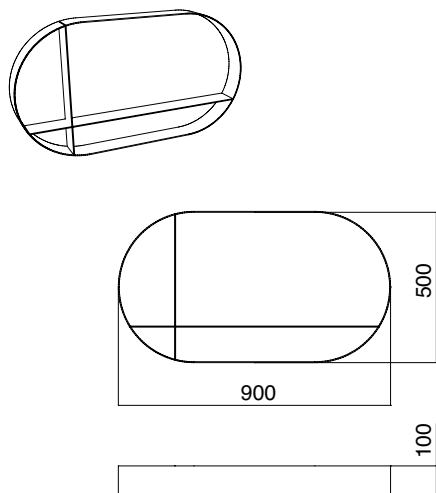
ABLE Art. 2402 - L100 P50 H74 Cm

Consolle porta lavabo 100 cm
100 cm washbasin table
Console porte-lavabo 100 cm
Waschtisch 100 cm
Consola para lavabo 100 cm
Консоль для умывальника 100 см



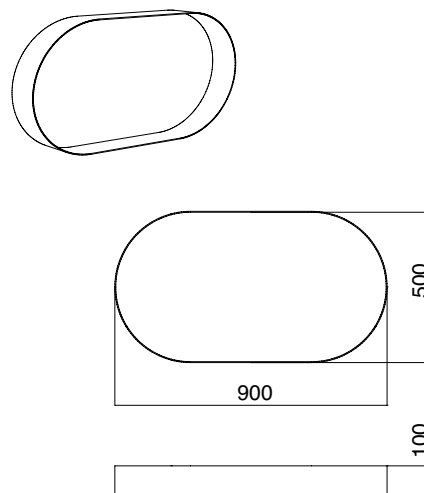
ABLE Art. 2404 - 90 x 50 Cm

Specchio con mensole, Orizzontale / Verticale
Mirror with shelves, Horizontal / Vertical
Miroir avec étagères, horizontale/verticale
Spiegel mit Ablagen, horizontal/vertikal
Espejo con repisas, horizontal/vertical
Зеркало с полками, горизонтальное или вертикальное



ABLE Art. 2403 - 90 x 50 Cm

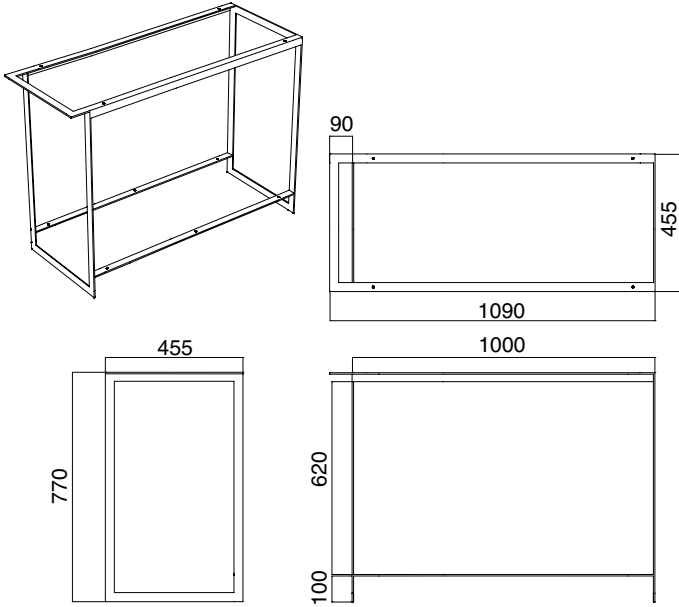
Specchio senza mensole, Orizzontale / Verticale
Mirror without shelves, Horizontal / Vertical
Miroir sans étagères, horizontale/verticale
Spiegel ohne Ablagen, horizontal/vertikal
Espejo sin repisas, horizontal/vertical
Зеркало без полок, горизонтальное или вертикальное



SOLID

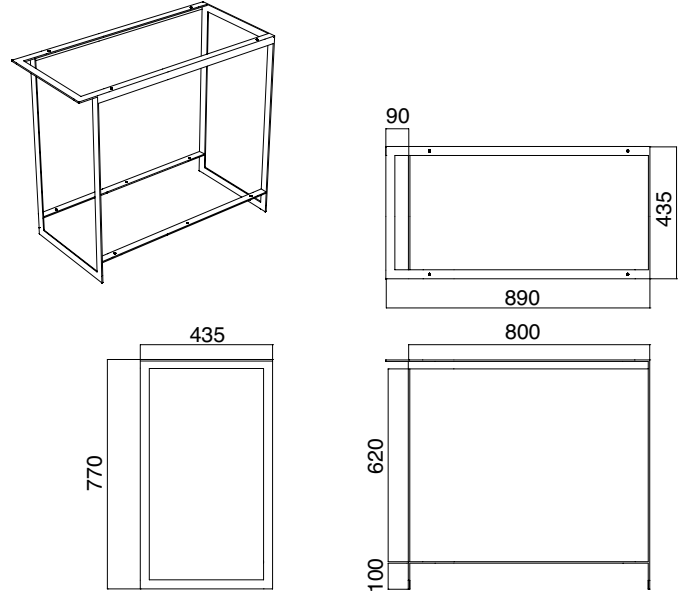
SOLID Art. 2901 - L109 P45,5 H77 Cm

Consolle a terra per lavabo 100 cm
Floor-standing table for washbasin 100 cm
Console à poser pour lavabo 100 cm
Waschtisch, 100 cm
Consola de suelo para lavabo 100 cm
Напольная консоль для умывальника 100 см



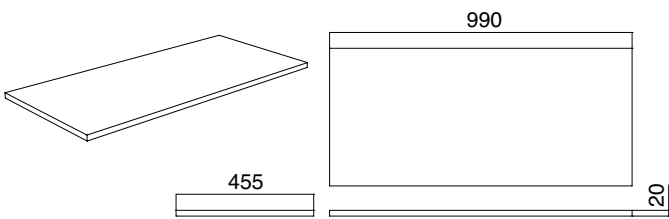
SOLID Art. 2902 - L89 P43,5 H77 Cm

Consolle a terra per lavabo 80 cm
Floor-standing table for washbasin 80 cm
Console à poser pour lavabo 80 cm
Waschtisch, 80 cm
Consola de suelo para lavabo 80 cm
Напольная консоль для умывальника 80 см



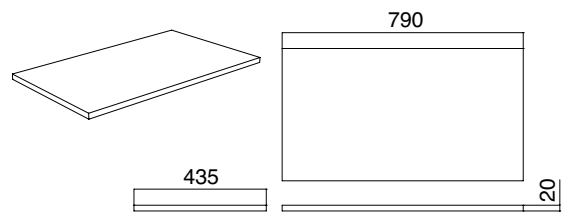
SOLID Art. 2912 - L99 P45,5 H2 Cm

Mensola inferiore per consolle Art. 2901
Lower shelf for table Art. 2901
Étagère inférieure pour console Art. 2901
Untere Ablage für Waschtisch Artikel 2901
Repisa inferior para consola Art. 2901
Нижняя полка для консоли арт. 2901



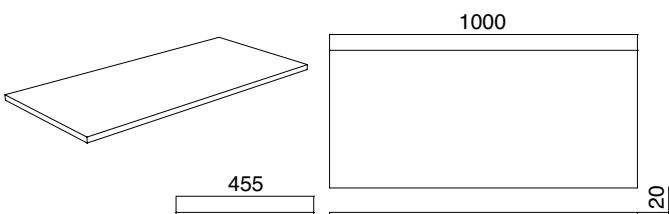
SOLID Art. 2913 - L79 P43,5 H2 Cm

Mensola inferiore per consolle Art. 2902
Lower shelf for table Art. 2902
Étagère inférieure pour console Art. 2902
Untere Ablage für Waschtisch Artikel 2902
Repisa inferior para consola Art. 2902
Нижняя полка для консоли арт. 2902



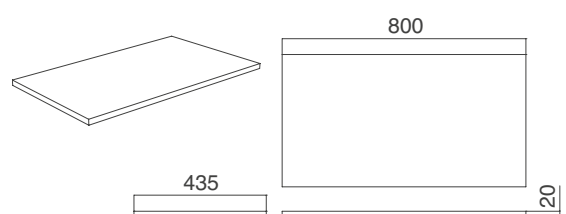
SOLID Art. 2910 - L100 P45,5 H2 Cm

Mensola superiore per consolle Art. 2901
Upper shelf for table Art. 2901
Étagère supérieure pour console Art. 2901
Obere Ablage für Waschtisch Artikel 2901
Repisa superior para consola Art. 2901
Верхняя полка для консоли арт. 2901



SOLID Art. 2911 - L80 P43,5 H2 Cm

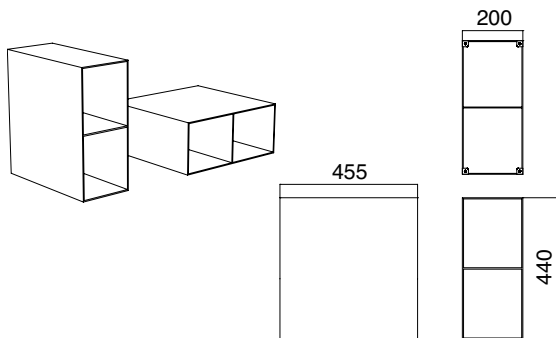
Mensola superiore per consolle Art. 2902
Upper shelf for table Art. 2902
Étagère supérieure pour console Art. 2902
Obere Ablage für Waschtisch Artikel 2902
Repisa superior para consola Art. 2902
Верхняя полка для консоли арт. 2902



SOLID

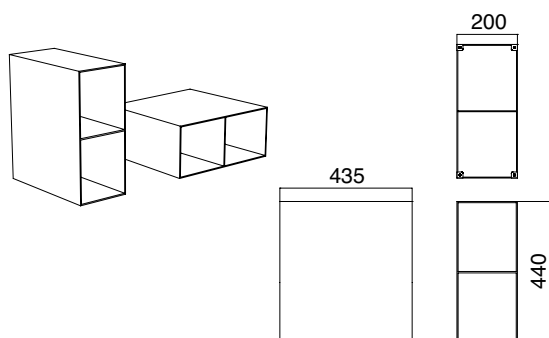
SOLID Art. 2905 - 44 x 20 P45,5 Cm

- x1 Contenitore metallico profondità 45,5 cm per art. 2901
- x1 Metal container 45.5 cm depth for art. 2901
- x1 Caisson métallique profondeur 45,5 cm pour art. 2901
- x1 Metallbehälter, Tiefe 45,5 cm für Artikel 2901
- x1 Contenedor metálico profundidad 45,5 cm para art. 2901
- x1 Металлический контейнер глубиной 45,5 см для арт. 2901



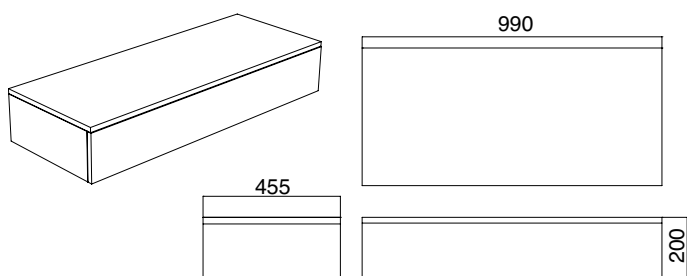
SOLID Art. 2914 - 44 x 20 P43,5 Cm

- x1 Contenitore metallico profondità 43,5 cm per art. 2902
- x1 Metal container 43.5 cm depth for art. 2902
- x1 Caisson métallique profondeur 43,5 cm pour art. 2902
- x1 Metallbehälter, Tiefe 43,5 cm für Artikel 2902
- x1 Contenedor metálico profundidad 43,5 cm para art. 2902
- x1 Металлический контейнер глубиной 43,5 см для арт. 2902



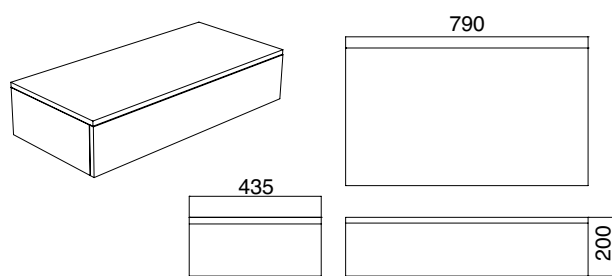
SOLID Art. 2906 - L99 P45,5 H20 Cm

- Cassetto 99 x h20 cm per consolle art. 2901
- Drawer 99 x h20 cm for table art. 2901
- Tiroir 99 x h20 cm pour consoles art. 2901
- Schubfach 99 x h20 cm für Waschtisch 2901
- Cajón 99 x h20 cm para consola art. 2901
- Ящик 99 x B20 см для консоли арт. 2901



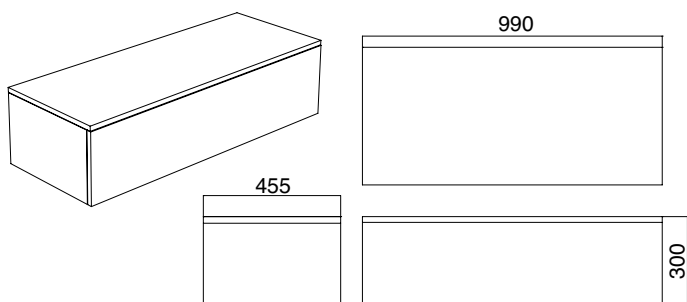
SOLID Art. 2907 - L79 P43,5 H20 Cm

- Cassetto 79 x h20 cm per consolle art. 2902
- Drawer 79 x h20 cm for table art. 2902
- Tiroir 79 x h20 cm pour consoles art. 2902
- Schubfach 79 x h20 cm für Waschtisch 2902
- Cajón 79 x h20 cm para consola art. 2902
- Ящик 79 x B20 см для консоли арт. 2902



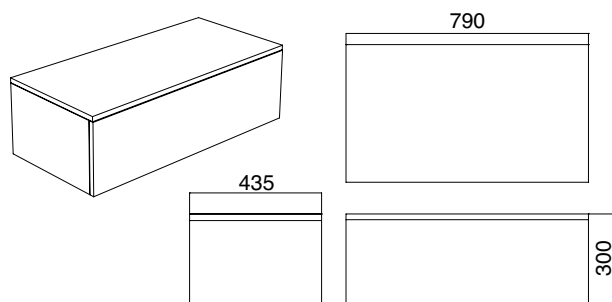
SOLID Art. 2908 - L99 P45,5 H30 Cm

- Cassetto 99 x h30 cm per consolle art. 2901
- Drawer 99 x h30 cm for table art. 2901
- Tiroir 99 x h30 cm pour consoles art. 2901
- Schubfach 99 x h30 cm für Waschtisch 2901
- Cajón 99 x h30 cm para consola art. 2901
- Ящик 99 x B30 см для консоли арт. 2901



SOLID Art. 2909 - L79 P43,5 H30 Cm

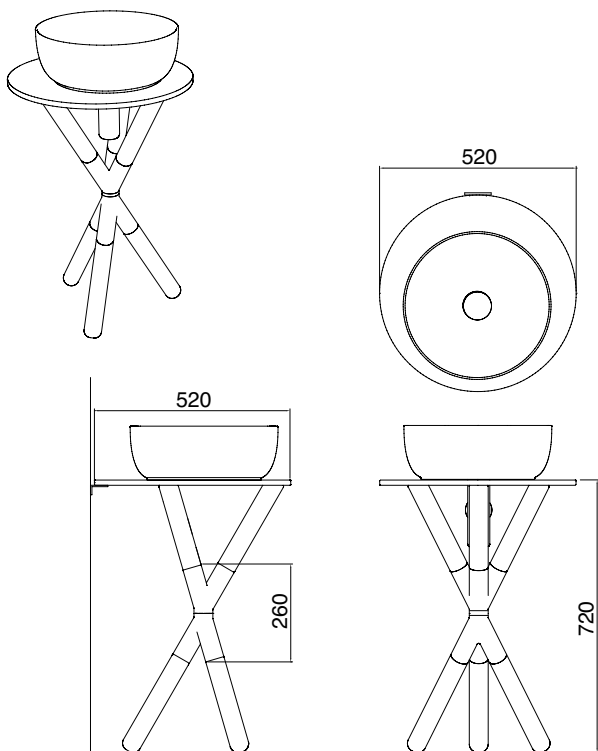
- Cassetto 79 x h30 cm per consolle art. 2902
- Drawer 79 x h30 cm for table art. 2902
- Tiroir 79 x h30 cm pour consoles art. 2902
- Schubfach 79 x h30 cm für Waschtisch 2902
- Cajón 79 x h30 cm para consola art. 2902
- Ящик 79 x B30 см для консоли арт. 2902



CROSS

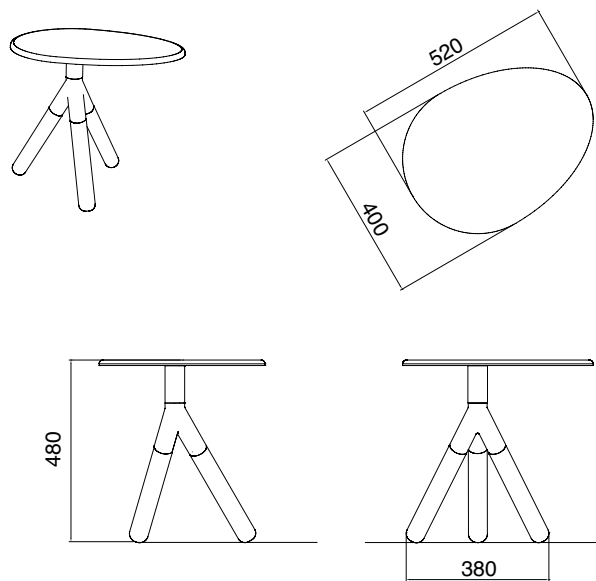
CROSS Art. 2501 / 2502 - Ø52 H72 Cm

Consolle completa
Complete table
Console complète
Komplett-Waschtisch
Consola completa
Консоль полностью



CROSS Art. 2504 - L52 P40 H47 Cm

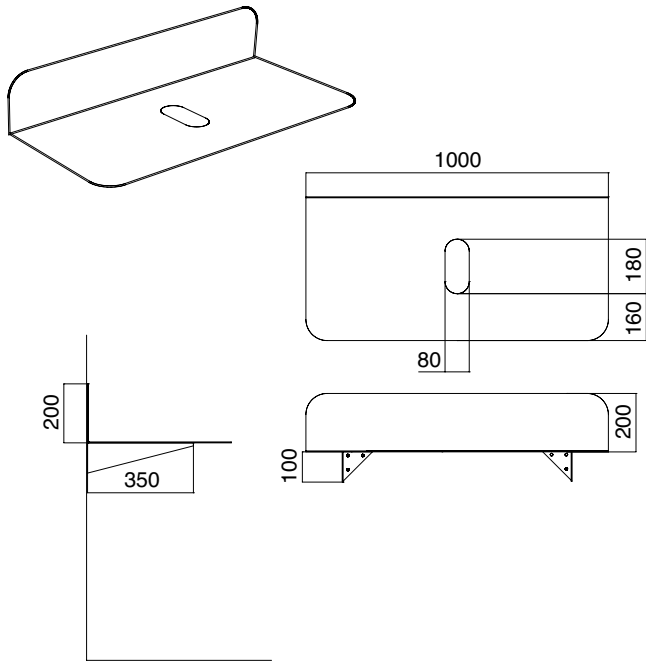
Tavolo completo
Complete table
Table complète
Komplett-Tisch
Mesa completa
Стол полностью



PLANA

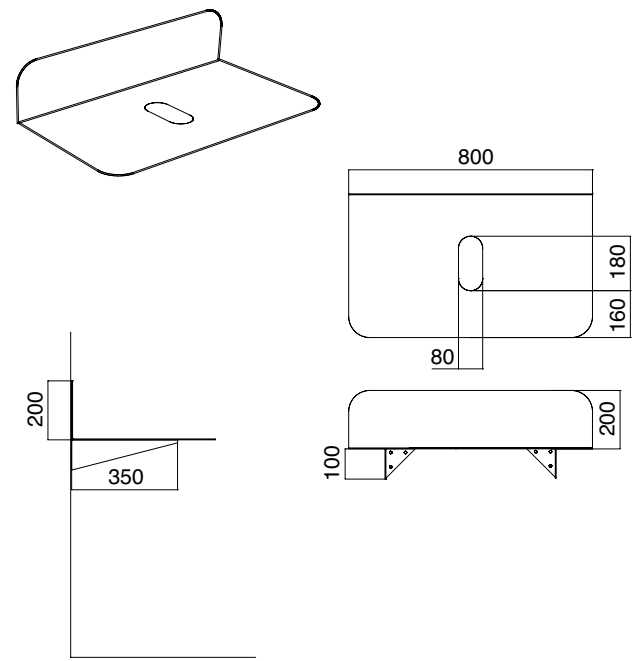
PLANA Art. 2551 - L100 P48 H20 Cm

Consolle porta lavabo 100 cm
100 cm washbasin table
Console porte-lavabo 100 cm
Waschtisch 100 cm
Consola para lavabo 100 cm
Консоль для умывальника 100 см



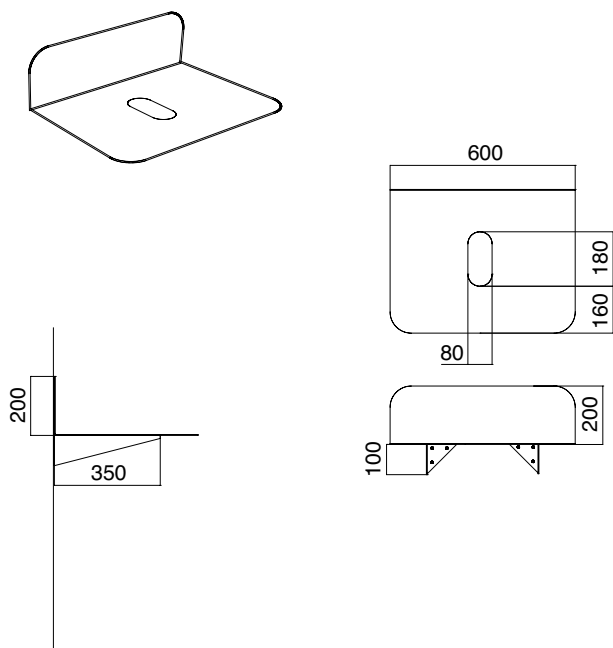
PLANA Art. 2552 - L80 P48 H20 Cm

Consolle porta lavabo 80 cm
80 cm washbasin table
Console porte-lavabo 80 cm
Waschtisch 80 cm
Consola para lavabo 80 cm
Консоль для умывальника 80 см



PLANA Art. 2553 - L60 P48 H20 Cm

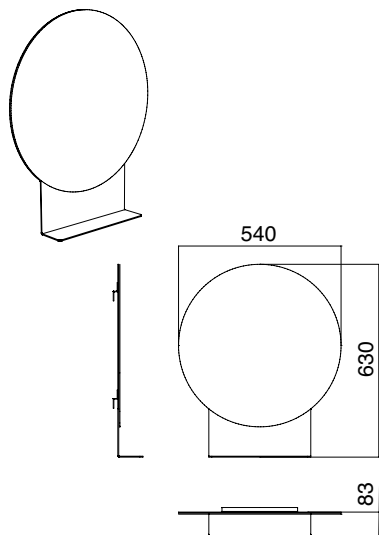
Consolle porta lavabo 60 cm
60 cm washbasin table
Console porte-lavabo 60 cm
Waschtisch 60 cm
Consola para lavabo 60 cm
Консоль для умывальника 60 см



FOLD

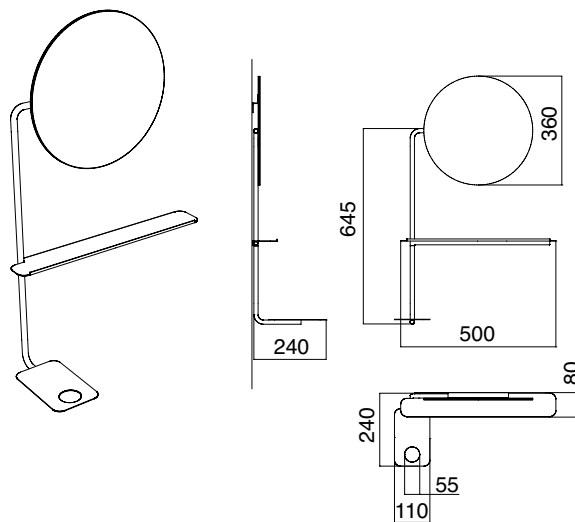
FOLD Art. 2301 - L53,5 H60 Cm

Specchio tondo con mensola
Round mirror with shelf
Miroir rond avec étagère
Runder Spiegel mit Ablage
Espejo redondo con repisa
Зеркало круглое с полкой



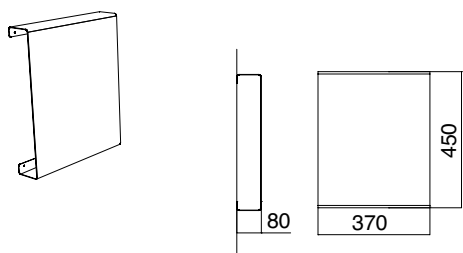
FOLD Art. 2302 - L51 H82 Cm

Specchio in tubolare tondo con mensola e porta bicchiere
Tubular round mirror with shelf and glass holder
Miroir avec tube rond, étagère et porte-gobelet
Spiegel mit Rahmen aus rundem Rohr, Ablage und Becherhalter
Espejo tubular redondo con repisa y soporte para vaso
Зеркало круглое из трубчатого профиля с полкой и подстаканником



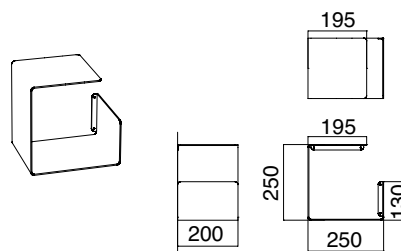
FOLD Art. 2304 - L37 P8 H25 Cm

Specchio contenitore a muro apertura laterale
Mirror with wall container and lateral opening
Miroir avec caisson mural ouverture latérale
Spiegelschrank mit seitlicher Öffnung
Espejo contenedor de pared apertura lateral
Настенный зеркальный шкафчик, открывающийся сбоку



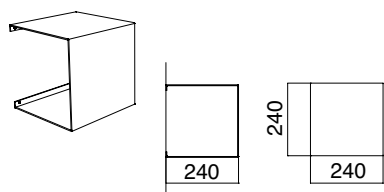
FOLD Art. 2303 - L52 P20 H25 Cm

Cubo asimmetrico
Asymmetric cube
Cube asymétrique
Asymmetrischer Würfel
Cubo asimétrico
Асимметричный куб



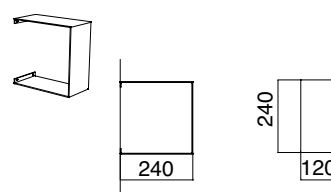
FOLD Art. 2305 - L12 P24 H24 Cm

Pensile contenitore a muro apertura laterale
Wall unit with wall container and lateral opening
Élément suspendu avec caisson mural ouverture latérale
Hängeschrank mit seitlicher Öffnung
Mueble alto contenedor de pared apertura lateral
Навесной настенный шкаф, открывающийся сбоку



FOLD Art. 2306 - L23,5 P24 H24 Cm

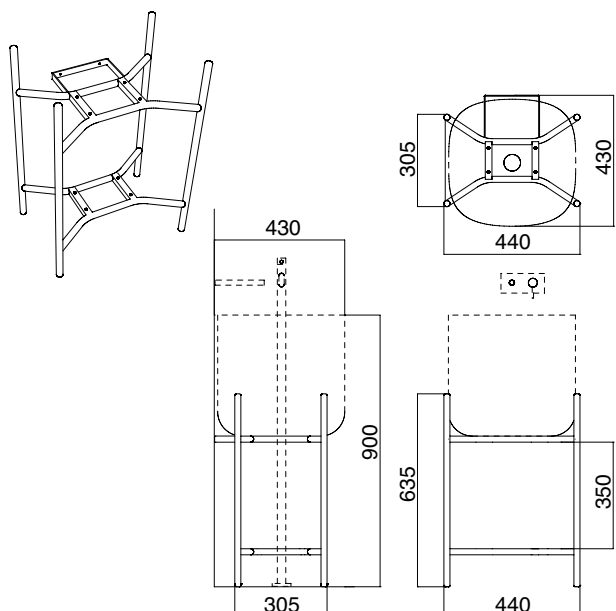
Pensile contenitore a muro apertura laterale grande
Wall unit with wall container and lateral opening, large size
Élément suspendu avec caisson mural grande ouverture latérale
Hängeschrank mit großer seitlicher Öffnung
Mueble alto contenedor de pared apertura lateral grande
Большой навесной настенный шкаф, открывающийся сбоку



DIVA

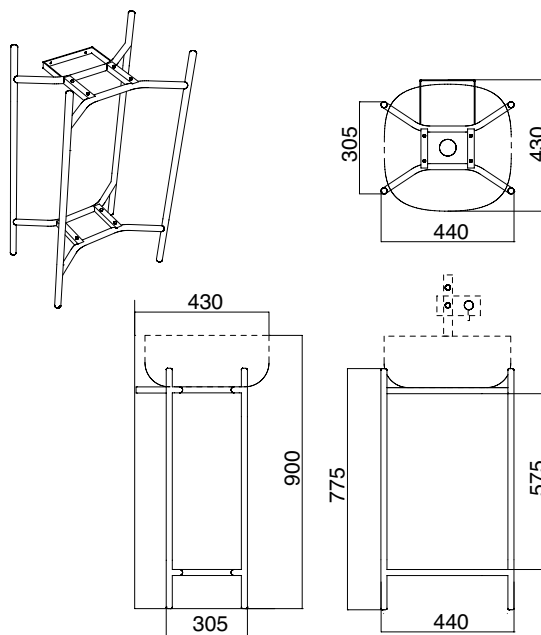
DIVA Art. 2701 - L44 P39 H63,5 Cm

Consolle per lavabo Moon Art. 5503 (42x42x40H)
 Console for Moon washbasin Art. 5503 (42x42x40H)
 Console pour lavabo Moon Art. 5503 (42x42x40H)
 Konsole für Waschbecken Moon, Artikel 5503 (42x42x40H)
 Consola para lavabo Moon Art. 5503 (42x42x40H)
 Консоль для умывальника Moon арт. 5503 (42x42x40H)



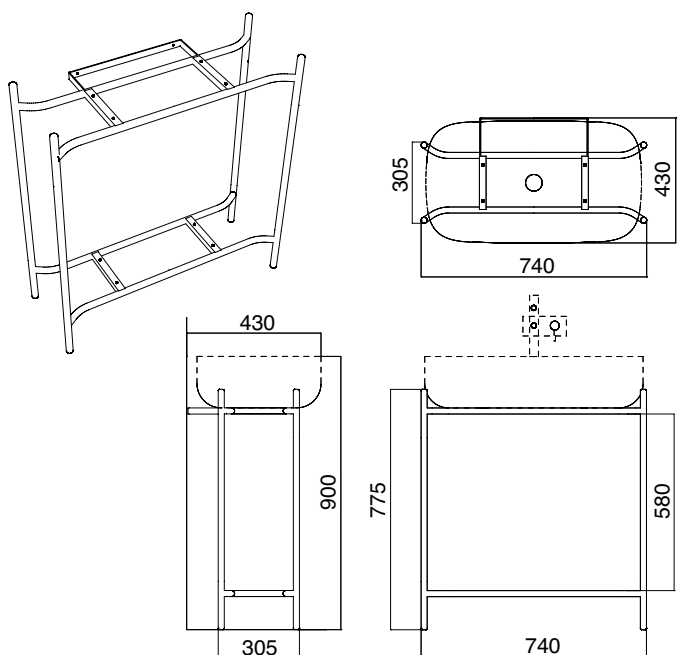
DIVA Art. 2702 - L44 P39 H77,5 Cm

Consolle per lavabo Moon Art. 5501 (42)-5504 (42R)
 Console for Moon washbasin Art. 5501 (42)-5504 (42R)
 Console pour lavabo Moon Art. 5501 (42)-5504 (42R)
 Konsole für Waschbecken Moon, Artikel 5501 (42)-5504 (42R)
 Consola para lavabo Moon Art. 5501 (42)-5504 (42R)
 Консоль для умывальника Moon арт. 5501 (42)-5504 (42R)



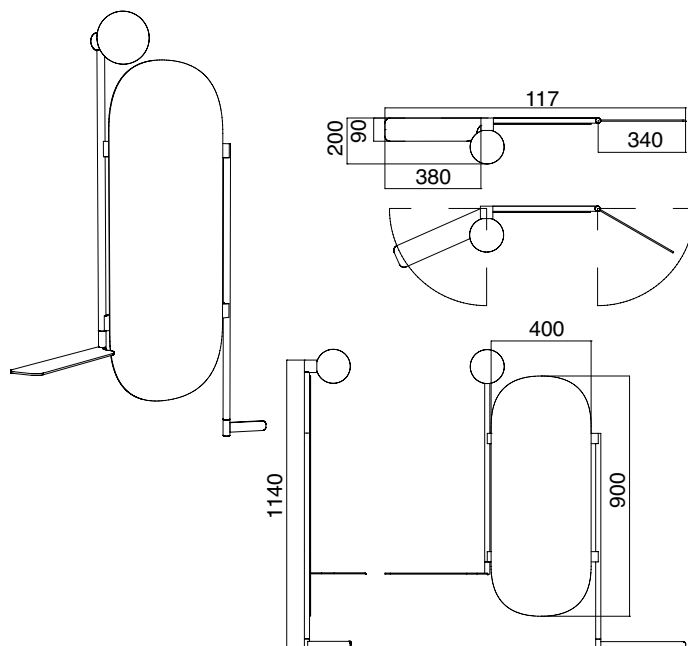
DIVA Art. 2703 - L74,5 P39 H77,5 Cm

Consolle per lavabo Moon 5502 (70)-5005 (70R)
 Console for Moon washbasin Art. 5502 (70)-5005 (70R)
 Console pour lavabo Moon Art. 5502 (70)-5005 (70R)
 Konsole für Waschbecken Moon, Artikel 5502 (70)-5005 (70R)
 Consola para lavabo Moon Art. 5502 (70)-5005 (70R)
 Консоль для умывальника Moon арт. 5502 (70)-5005 (70R)



DIVA Art. 2704 - L45 H90 Cm

Specchio con porta asciugamano, mensola, applique integrata
 Mirror with towel rail, shelf, and built-in wall lamp
 Miroir avec porte-serviette, tablette, applique intégrée
 Spiegel mit Handtuchhalter, Ablage und integrierter Leuchte
 Espejo con toallero, repisa, applique integrado
 Зеркало с держателем для полотенец, полкой и встроенным светильником бра



DIVA

DIVA Art. 2705 - L39,5 P35 H20 Cm

Cassetto H20 per Art. 2701/2702

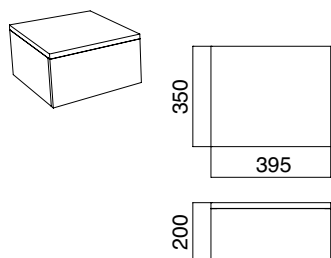
Drawer H20 for Art. 2701/2702

Tiroir H20 pour Art. 2701/2702

Schubfach Höhe 20 für Artikel 2701/2702

Cajón H20 para Art. 2701/2702

Ящик В20 для арт. 2701/2702



DIVA Art. 2706 - L70 P35 H20 Cm

Cassetto H20 per Art. 2703

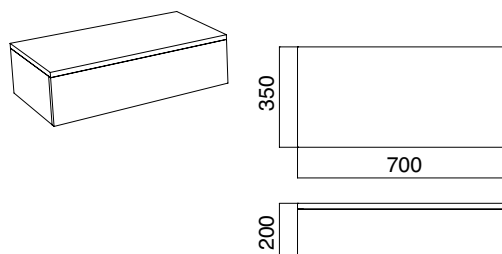
Drawer H20 for Art. 2703

Tiroir H20 pour Art. 2703

Schubfach Höhe 20 für Artikel Art. 2703

Cajón H20 para Art. 2703

Ящик В20 для арт. 2703



DIVA Art. 2711 - L39,5 P35 H30 Cm

Cassetto H30 per Art. 2701/2702

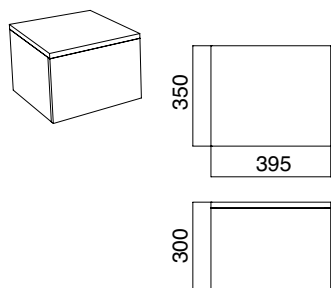
Drawer H30 for 2701/2702

Tiroir H30 pour Art. 2701/2702

Schubfach Höhe 30 für Artikel 2701/2702

Cajón H30 para Art. 2701/2702

Ящик В30 для арт. 2701/2702



DIVA Art. 2712 - L70 P35 H30 Cm

Cassetto H30 per Art. 2703

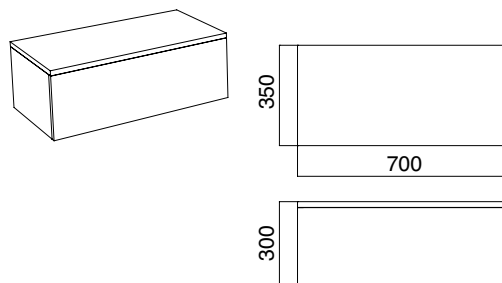
Drawer H30 for Art. 2703

Tiroir H30 pour Art. 2703

Schubfach Höhe 30 für Artikel 2703

Cajón H30 para Art. Art. 2703

Ящик В30 для арт. 2703



DIVA Art. 2707 - L32,5 P26,5 H2 Cm

Ripiano in legno per Art. 2701/2702

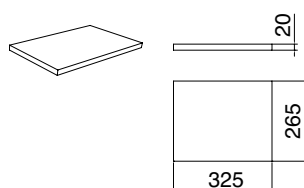
Wooden shelf for Art. 2701/2702

Plateau en bois pour Art. 2701/2702

Top aus Holz für Artikel 2701/2702

Estante de madera para Art. 2701/2702

Деревянная полка для арт. 2701/2702



DIVA Art. 2708 - L61 P26,5 H2 Cm

Ripiano in legno per Art. 2703

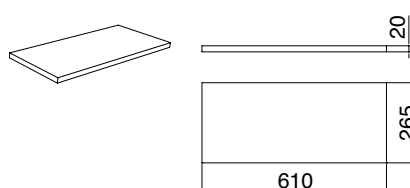
Wooden shelf for Art. 2703

Plateau en bois pour Art. 2703

Top aus Holz für Artikel 2703

Estante de madera para Art. 2703

Деревянная полка для арт. 2703



DIVA

DIVA Art. 2709 - L42 P42 H1,5 Cm

Ripiano in ceramica per Art. 2701/2702

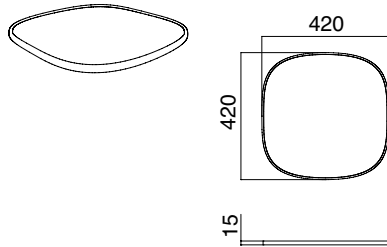
Ceramic shelf for Art. 2701/2702

Plateau en céramique pour Art. 2701/2702

Top aus Keramik für Artikel 2701/2702

Estante de cerámica para Art. 2701/2702

Керамическая полка для арт. 2701/2702



DIVA Art. 2710 - L72 P42 H1,5 Cm

Ripiano in ceramica per Art. 2703

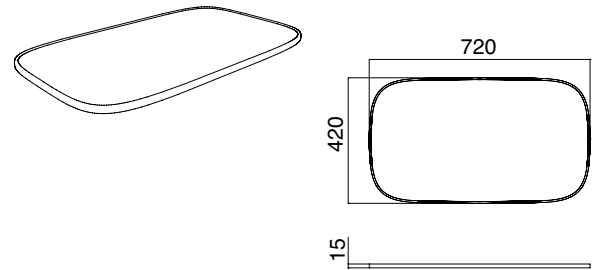
Ceramic shelf for Art. 2703

Plateau en céramique pour Art. 2703

Top aus Keramik für Artikel 2703

Estante de cerámica para Art. 2703

Керамическая полка для арт. 2703



DIVA Art. 2715 / 2716 / 2717 - L72 P42 H1,5 Cm

Ripiano in ceramica per Art. 2703 con predisposizione per lavabi GLAM Art. 1808 / 1807

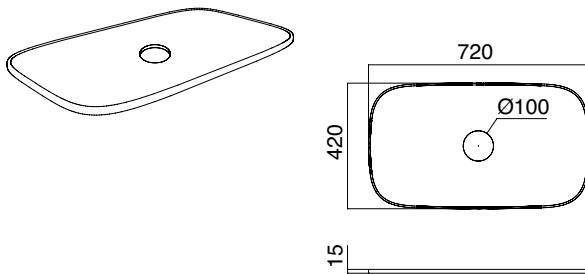
Ceramic shelf for Art. 2703 ready for installation in GLAM washbasins Art. 1808 / 1807

Plateau en céramique pour Art. 2703 avec préparation pour lavabos GLAM Art. 1808 / 1807

Top aus Keramik für Artikel 2703, vorbereitet für die Installation von Waschbecken GLAM, Artikel 1808 / 1807

Estante de cerámica para Art. 2703 con predisposición para lavabos GLAM Art. 1808 / 1807

Керамическая столешница для арт. 2703, готовая для установки умывальников GLAM арт. 1808 / 1807



FUJI

FUJI Art. 6016 - L59 P44 H75 Cm

Consolle 59 cm con top in legno

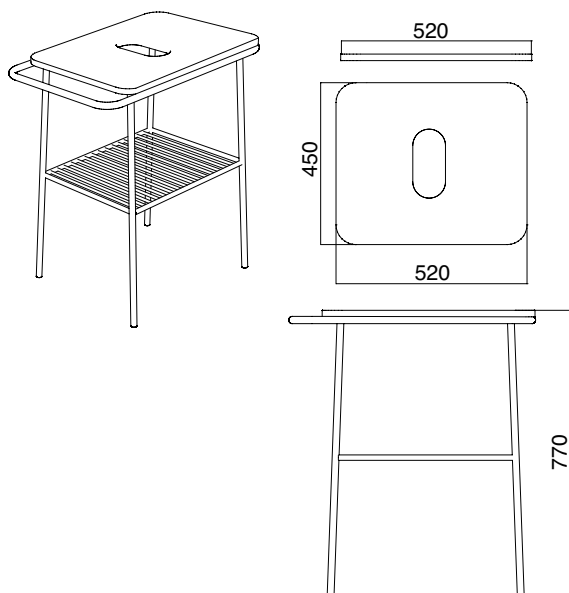
59 cm table with wooden top

Console 59 cm avec plan en bois

Waschtisch 59 cm mit Top aus Holz

Consola 59 cm con encimera de madera

Консоль 59 см с деревянной столешницей



FUJI Art. 6018 - L79 P44 H75 Cm

Consolle 79 cm con top in legno

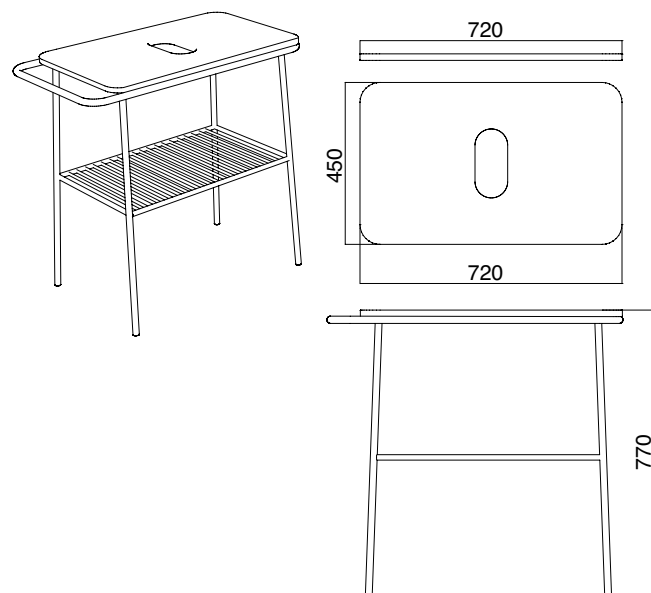
79 cm table with wooden top

Console 79 cm avec plan en bois

Waschtisch 79 cm mit Top aus Holz

Consola 79 cm con encimera de madera

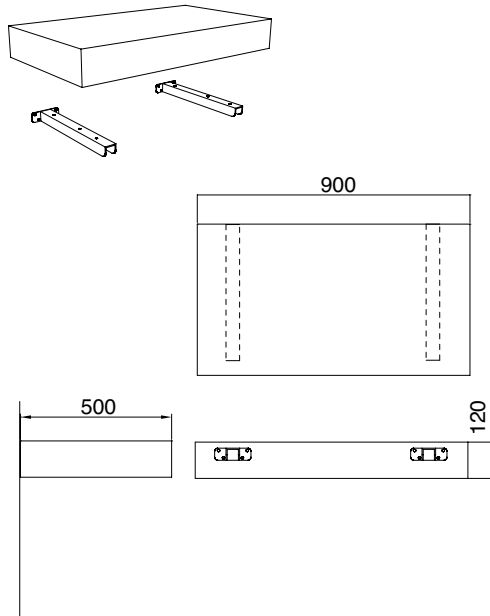
Консоль 79 см с деревянной столешницей



TOP LINE

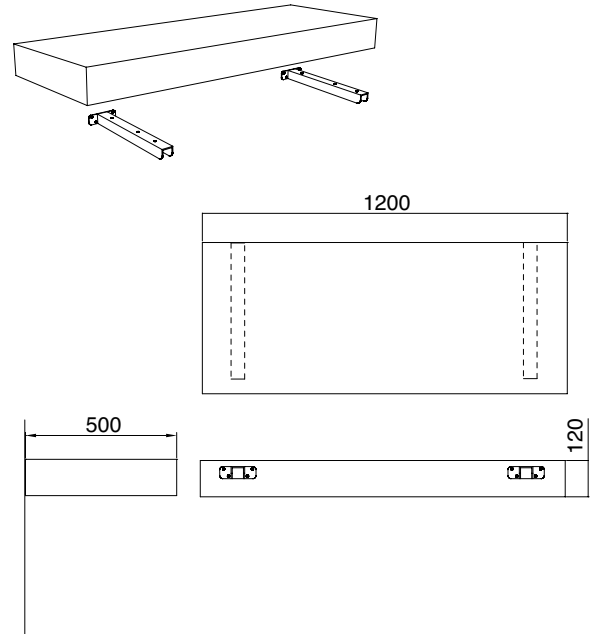
TOP LINE Art. 520 - L90 P50 H12 Cm

Top
Top
Plan
Top
Encimera
Столешница



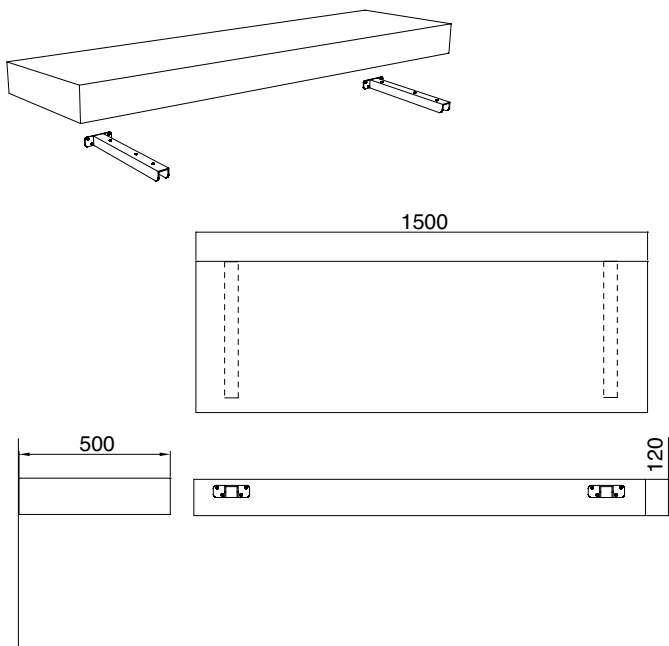
TOP LINE Art. 521 - L120 P50 H12 Cm

Top
Top
Plan
Top
Encimera
Столешница



TOP LINE Art. 522 - L150 P50 H12 Cm

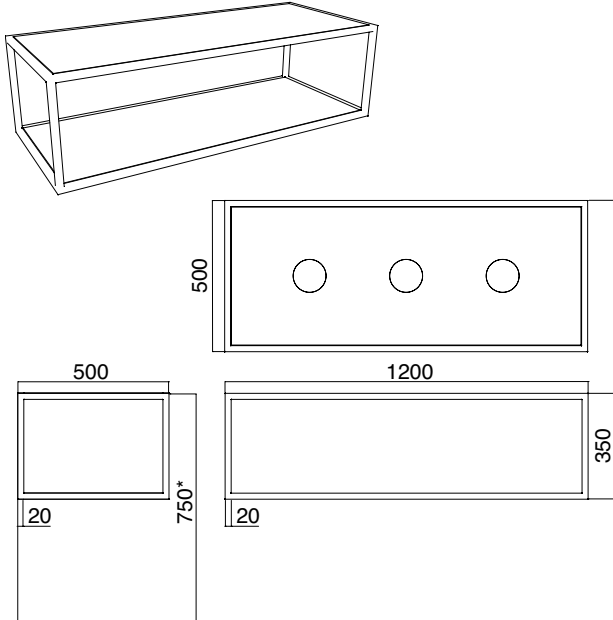
Top
Top
Plan
Top
Encimera
Столешница



FRAME

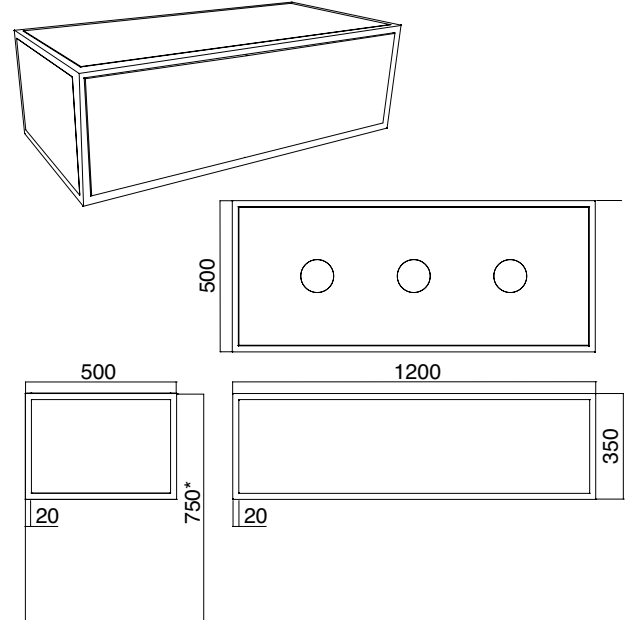
FRAME Art. 1830 - L120 P50 H35 Cm

Struttura porta lavabo in tubolare 120 cm con mensola
120 cm tubular washbasin frame with shelves
Structure porte-lavabo tubulaire 120 cm avec étagères
Waschbeckenuntergestell aus rohr 120 cm mit ablagen
Estructura para lavabo tubular 120 cm con repisas
Навесной держатель раковины умывальника из трубчатого
профиля 120 см, с полкой



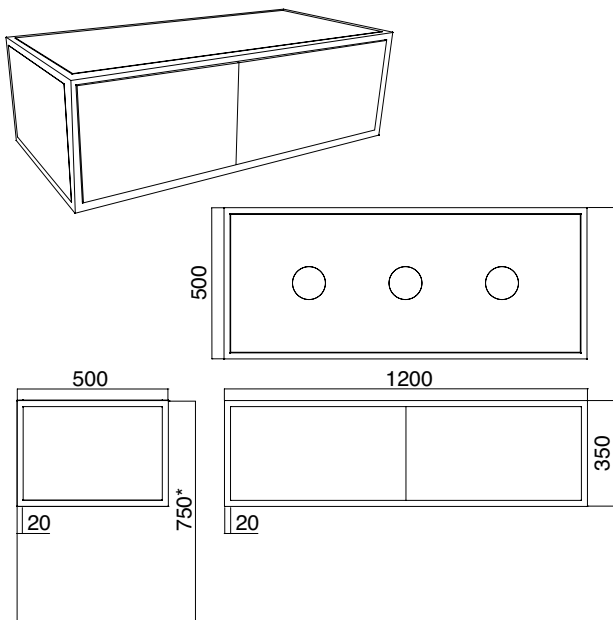
FRAME Art. 1831 - L120 P50 H35 Cm

Struttura porta lavabo in tubolare 120 cm con cassetto
120 cm tubular washbasin frame with drawer
Structure porte-lavabo tubulaire 120 cm avec tiroir
Waschbeckenuntergestell aus rohr 120 cm mit schubfach
Estructura para lavabo tubular 120 cm con cajones
Навесной держатель раковины умывальника из трубчатого
профиля 120 см, с ящиком



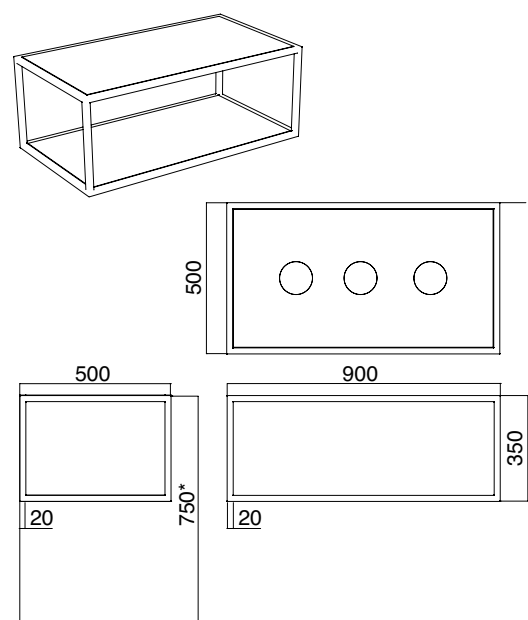
FRAME Art. 1832 - L120 P50 H35 Cm

Struttura porta lavabo in tubolare 120 cm con doppia anta
120 cm tubular washbasin frame with double door
Structure porte-lavabo tubulaire 120 cm avec double porte
Waschbeckenuntergestell aus rohr 120 cm mit zwei türen
Estructura para lavabo tubular 120 cm con doble puerta
Навесной держатель раковины умывальника из трубчатого профиля 120
см, с двустворчатой дверцей



FRAME Art. 1833 - L90 P50 H35 Cm

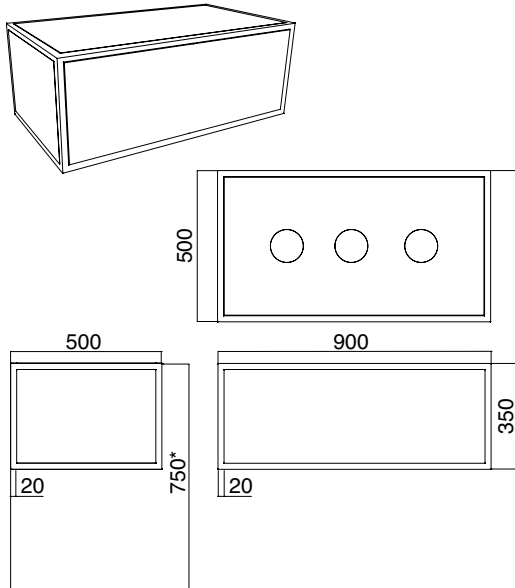
Struttura porta lavabo in tubolare 90 cm con mensola
90 cm tubular washbasin frame with shelves
Structure porte-lavabo tubulaire 90 cm avec étagères
Waschbeckenuntergestell aus rohr 90 cm mit ablagen
Estructura para lavabo tubular 90 cm con repisas
Навесной держатель раковины умывальника из трубчатого
профиля 90 см, с полкой



FRAME

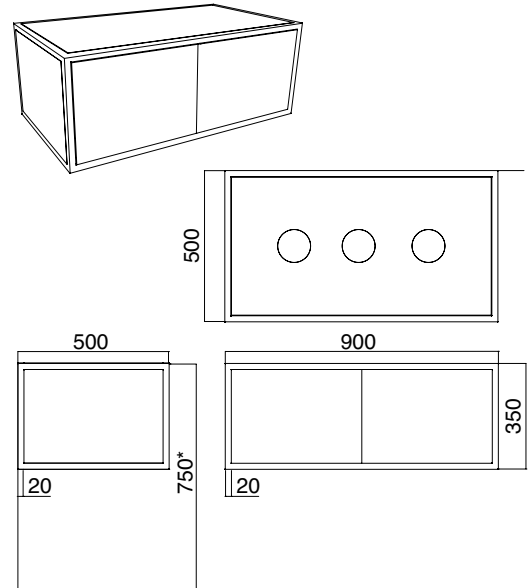
FRAME Art. 1834 - L90 P50 H35 Cm

Struttura porta lavabo in tubolare 90 cm con cassetto
 90 cm tubular washbasin frame with drawer
 Structure porte-lavabo tubulaire 90 cm avec tiroir
 Waschbeckenuntergestell aus rohr 90 cm mit schubfach
 Estructura para lavabo tubular 90 cm con cajones
 Навесной держатель раковины умывальника из трубчатого
 профиля 90 см, с ящиком



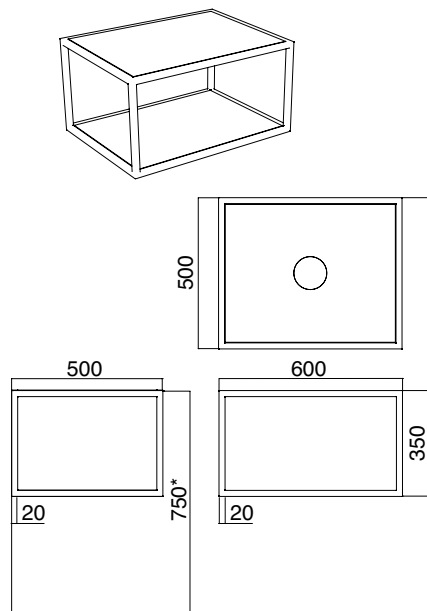
FRAME Art. 1835 - L90 P50 H35 Cm

Struttura porta lavabo in tubolare 90 cm con doppia anta
 90 cm tubular washbasin frame with double door
 Structure porte-lavabo tubulaire 90 cm avec double porte
 Waschbeckenuntergestell aus rohr 90 cm mit zwei türen
 Estructura para lavabo tubular 90 cm con doble puerta
 Навесной держатель раковины умывальника из трубчатого профиля 90
 см, с двухстворчатой дверцей



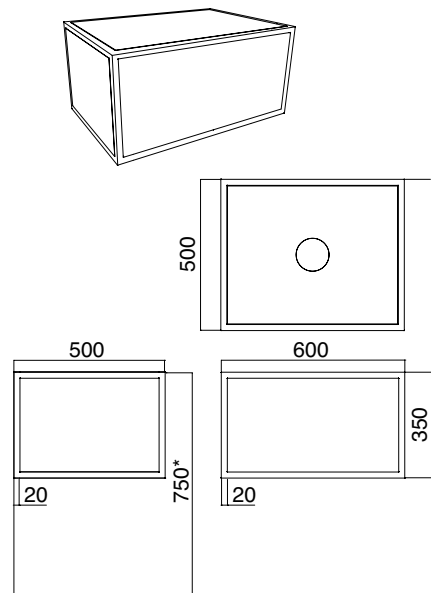
FRAME Art. 1836 - L60 P50 H35 Cm

Struttura porta lavabo in tubolare 60 cm con mensola
 60 cm tubular washbasin frame with shelves
 Structure porte-lavabo tubulaire 60 cm avec étagères
 Waschbeckenuntergestell aus rohr 60 cm mit ablagen
 Estructura para lavabo tubular 60 cm con repisas
 Навесной держатель раковины умывальника из трубчатого
 профиля 90 см, с полкой



FRAME Art. 1837 - L60 P50 H35 Cm

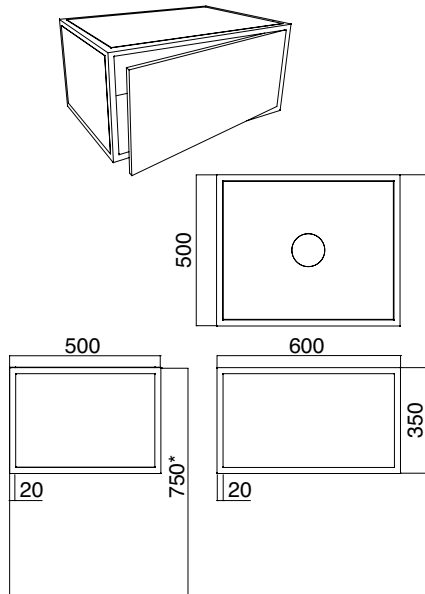
Struttura porta lavabo in tubolare 60 cm con cassetto
 60 cm tubular washbasin frame with drawer
 Structure porte-lavabo tubulaire 60 cm avec tiroir
 Waschbeckenuntergestell aus rohr 60 cm mit schubfach
 Estructura para lavabo tubular 60 cm con cajones
 Навесной держатель раковины умывальника из трубчатого
 профиля 60 см, с ящиком



FRAME

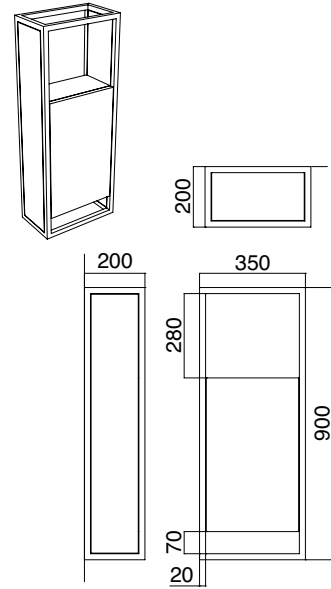
FRAME Art. 1838 - L60 P50 H35 Cm

Struttura porta lavabo in tubolare 60 cm con anta singola
60 cm tubular washbasin frame with single door
Structure porte-lavabo tubulaire 60 cm avec porte simple
Waschbeckenuntergestell aus rohr 60 cm mit einer tür
Estructura para lavabo tubular 60 cm con puerta simple
Навесной держатель раковины умывальника из трубчатого профиля 60 см, с одностворчатой дверцей



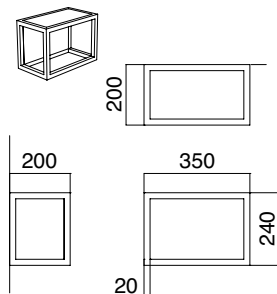
FRAME Art. 1839 - L35 P20 H90 Cm

Pensile in tubolare con porta asciugamani integrato
Tubular wall unit with built-in towel rail
Élément haut tubulaire avec porte-serviettes intégré
Hängeschrank aus rohr mit integriertem handtuchhalter
Mueble alto tubular con toallero integrado
Навесной шкаф из трубчатого профиля со встроенным держателем полотенец



FRAME Art. 1840 - L35 P20 H24 cm

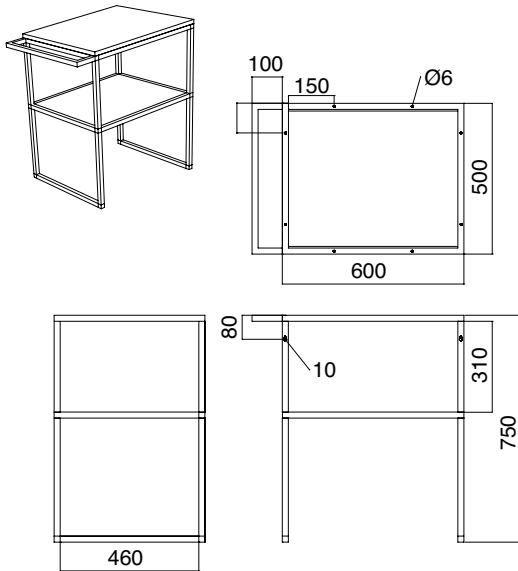
Mensola con porta asciugamani integrato
Shelf with built-in towel rail
Étagère avec porte-serviettes intégré
Ablage mit integriertem handtuchhalter
Repisa con toallero integrado
Полка со встроенным держателем полотенец



FRAME 2.0

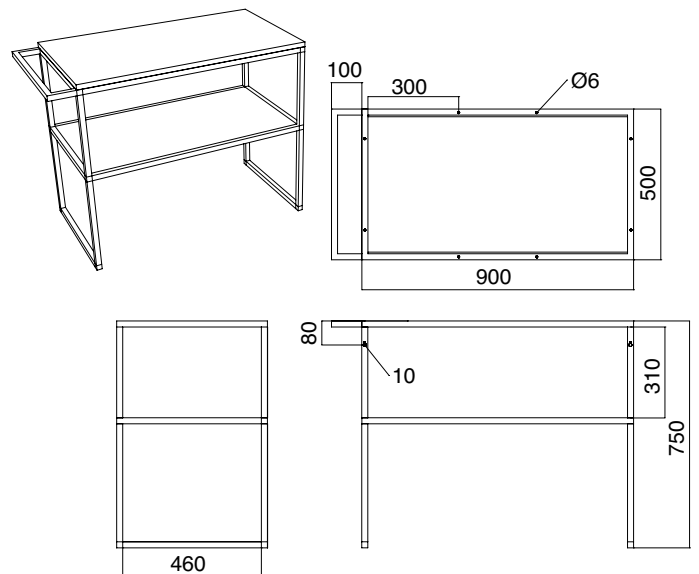
FRAME 2.0 Art. 1844 / 1845 L60 P50 H75 Cm

Struttura porta lavabo in alluminio 60 cm
60 cm aluminium washbasin frame
Structure porte-lavabo en aluminium 60 cm
Waschbeckenuntergestell aus Aluminium, 60 cm
Estructura para lavabo de aluminio 60 cm
Подставка для умывальника из алюминия 60 см



FRAME 2.0 Art. 1846 / 1847 L90 P50 H75 Cm

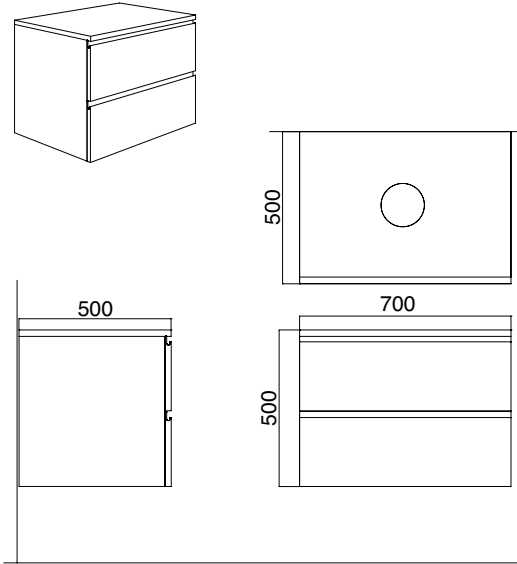
Struttura porta lavabo in alluminio 90 cm
90 cm aluminium washbasin frame
Structure porte-lavabo en aluminium 90 cm
Waschbeckenuntergestell aus Aluminium, 90 cm
Estructura para lavabo de aluminio 90 cm
Подставка для умывальника из алюминия 60 см



PHORMA

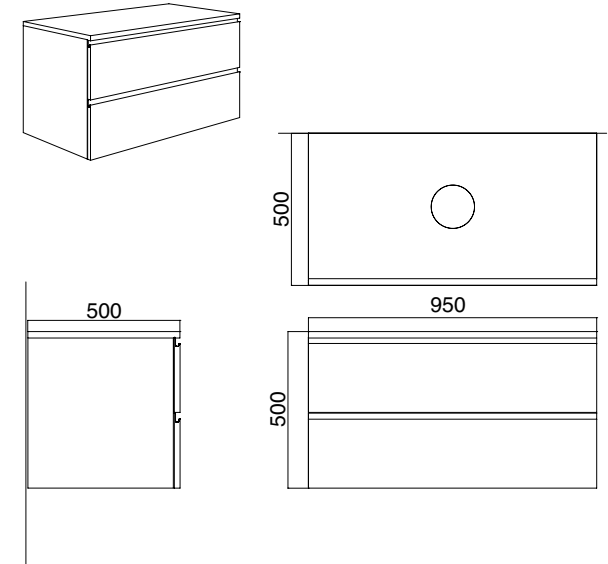
PHORMA Art. 2100 - L70 P50 H50 Cm

Base per lavabo 2 cassetti
2-drawer washbasin vanity unit
Élément bas pour lavabo 2 tiroirs
Waschtisch mit 2 schubladen
Mueble bajo para lavabo 2 cajones
Шкафчик умывальника с 2 ящиками



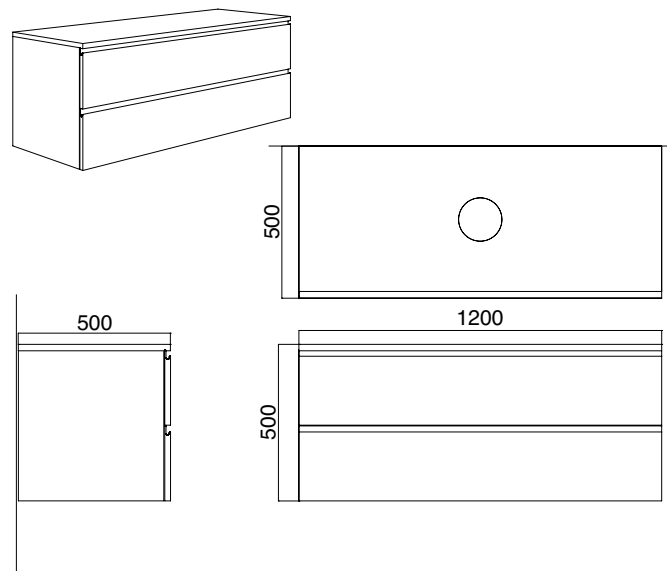
PHORMA Art. 2101 - L95 P50 H50 Cm

Consolle a terra per lavabo 100 cm
Floor-standing table for washbasin 100 cm
Console à poser pour lavabo 100 cm
Waschtisch, 100 cm
Consola de suelo para lavabo 100 cm
Напольная консоль для умывальника 100 см



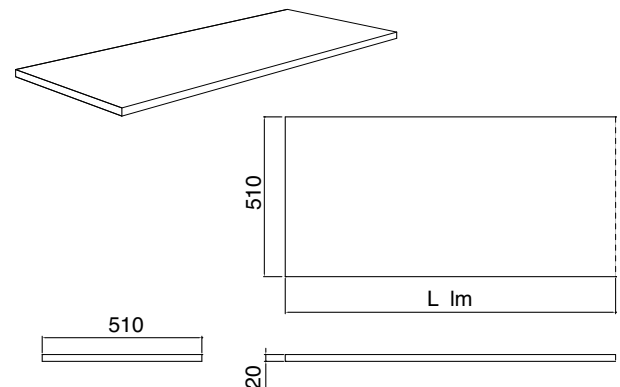
PHORMA Art. 2102 - L120 P50 H50 Cm

Base per lavabo 2 cassetti
2-drawer washbasin vanity unit
Élément bas pour lavabo 2 tiroirs
Waschtisch mit 2 schubladen
Mueble bajo para lavabo 2 cajones
Шкафчик умывальника с 2 ящиками



PHORMA Art. 2110 - L lm - P51 H1,8 Cm

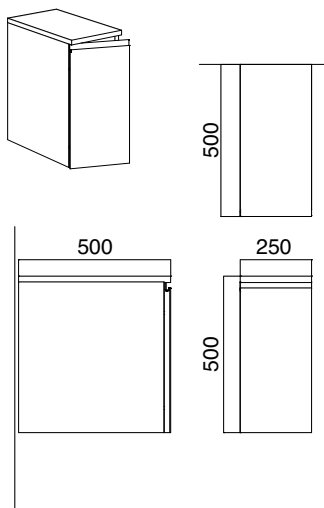
Top per basi
Vanity unit top
Plan pour éléments bas
Top für waschtische
Encimera para muebles bajos
Столешница для шкафчика умывальника



PHORMA

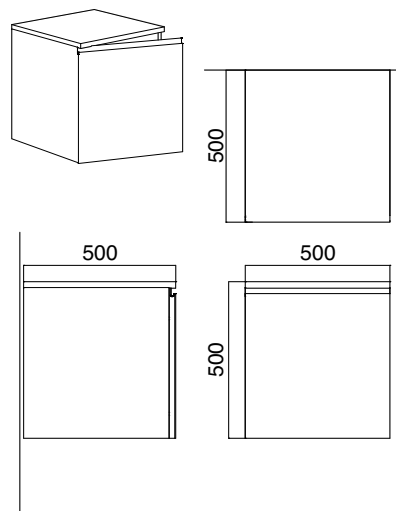
PHORMA Art. 2103SX / 2103DX L25 P50 H50 Cm

Base aggiuntiva 1 anta con 1 ripiano in vetro
Additional 1-door vanity unit with glass shelf
Élément bas supplémentaire 1 battant avec plateau en verre
Zusätzlicher waschtisch mit 1 tür und top aus glas
Mueble bajo adicional 1 puerta con estante de vidrio
Шкафчик дополнительный с 1 дверцей и стеклянной полкой



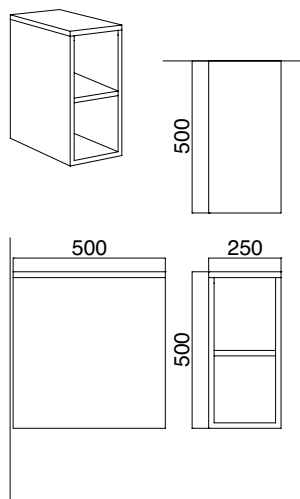
PHORMA Art. 2104SX / 2104DX L50 P50 H50 Cm

Base aggiuntiva 1 anta con 1 ripiano in vetro
Additional 1-door vanity unit with glass shelf
Élément bas supplémentaire 1 battant avec plateau en verre
Zusätzlicher waschtisch mit 1 tür und top aus glas
Mueble bajo adicional 1 puerta con estante de vidrio
Шкафчик дополнительный с 1 дверцей и стеклянной полкой



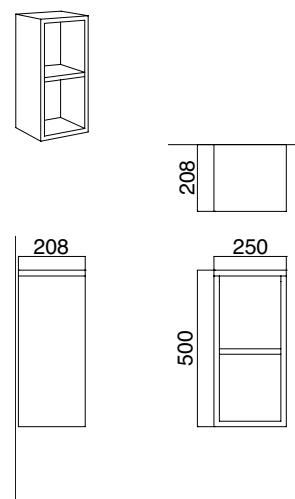
PHORMA Art. 2105 - L25 P50 H50 Cm

Base aggiuntiva a giorno con 1 ripiano in legno
Additional open-fronted vanity unit with 1 wooden shelf
Élément bas supplémentaire ajouré avec 1 plateau en bois
Zusätzlicher waschtisch, offen, mit 1 ablage aus holz
Mueble bajo adicional abierto con 1 estante de madera
Шкафчик дополнительный открытый с 1 деревянной полкой



PHORMA Art. 2107 - L25 P20,8 H50 Cm

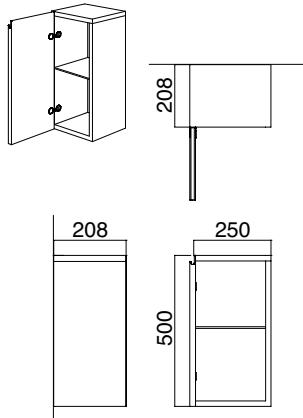
Pensile a giorno con 1 ripiano in legno
Open-fronted wall unit with 1 wooden shelf
Élément suspendu ajouré 1 plateau en bois
Offener hängeschrank mit 1 ablage aus holz
Mueble alto abierto 1 estante de madera
Навесной шкаф открытый с 1 деревянной полкой



PHORMA

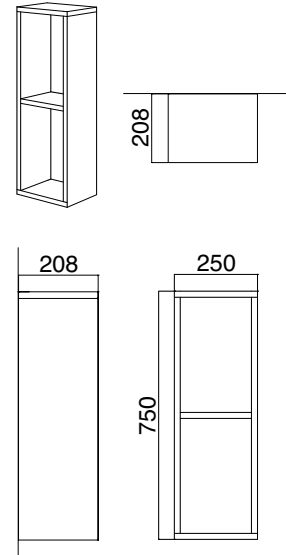
PHORMA Art. 2108SX / 2108DX L25 P20,8 H50 Cm

Pensile 1 anta con 1 ripiano in vetro
1-door wall unit with 1 glass shelf
Élément suspendu 1 porte avec 1 plateau en verre
Hängeschrank mit 1 tür mit 1 glasablage
Mueble alto 1 puerta con 1 estante de vidrio
Навесной шкаф с 1 дверцей и 1 стеклянной полкой



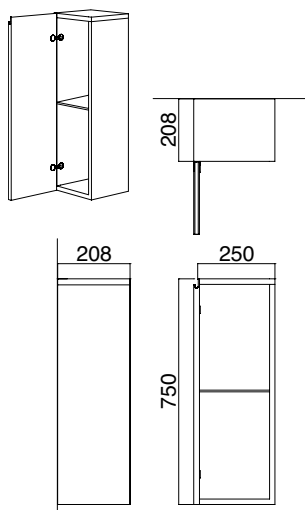
PHORMA Art. 2109 - L25 P20,8 H75 Cm

Pensile a giorno con 1 ripiano in legno
Open-fronted wall unit with 1 wooden shelf
Élément suspendu ajouré 1 plateau en bois
Offener hängeschrank mit 1 ablage aus holz
Mueble alto abierto 1 estante de madera
Навесной шкаф открытый с 1 деревянной полкой



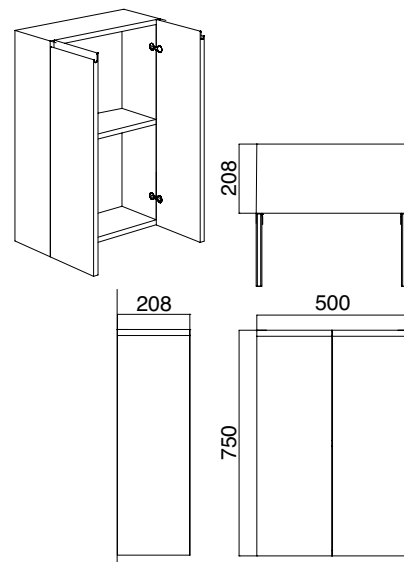
PHORMA Art. 2110SX / 2110DX L25 P20,8 H75 Cm




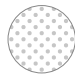
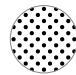



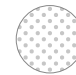

Pensile 1 anta con 2 ripiani in vetro
1-door wall unit with 2 glass shelves
Élément suspendu 1 porte avec 2 plateaux en verre
Hängeschrank mit 1 tür und 2 glasablagen
Mueble alto 1 puerta con 2 estantes de vidrio
Навесной шкаф с 1 дверцей и 2 стеклянными полками



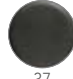

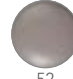
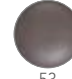





PHORMA Art. 2118 - L50 P20,8 H75 Cm

Pensile a 2 ante con 2 ripiani in vetro
2-door wall unit with 2 glass shelves
Élément suspendu 2 portes avec 2 plateaux en verre
Hängeschrank mit 2 türen und 2 glasablagen
Mueble alto 2 puertas con 2 estantes de vidrio
Навесной шкаф с 2 дверцами и 2 стеклянными полками



DecorLAB	Art.	POIS					FULL POIS				
		 SEV	 SER	 SEM	 SENT	 SENR	 SFLV	 SFLR	 SFLM	 SFLNT	 SFLNR
Moon	5520CL										
	5521										
	5522CL										
	5523										
	5501	✓	✓	✓	✓	✓				✓	
	5503	✓	✓	✓	✓	✓				✓	
	5504	✓	✓	✓	✓	✓				✓	
	5507	✓	✓	✓	✓	✓				✓	
	5511	✓	✓	✓	✓	✓				✓	
	5512	✓	✓	✓	✓	✓				✓	
Teorema 2.0	5101	✓	✓	✓	✓	✓					
	5102	✓	✓	✓	✓	✓					
	5129	✓	✓	✓	✓	✓					
	5111	✓	✓	✓	✓	✓					
	5112	✓	✓	✓	✓	✓					
	5104	✓	✓	✓	✓	✓					
	5105	✓	✓	✓	✓	✓					
	5110	✓	✓	✓	✓	✓					
	5114	✓	✓	✓	✓	✓					
	5117	✓	✓	✓	✓	✓					
	5115	✓	✓	✓	✓	✓					
	5118	✓	✓	✓	✓	✓					
	5123	✓	✓	✓	✓	✓					
	5108	✓	✓	✓	✓	✓					
	5109	✓	✓	✓	✓	✓					
	5130	✓	✓	✓	✓	✓					
5131	✓	✓	✓	✓	✓						
5132	✓	✓	✓	✓	✓						
Glam	1809	✓	✓	✓	✓	✓				✓	
	1808	✓	✓	✓	✓	✓				✓	
	1807	✓	✓	✓	✓	✓				✓	
	1806	✓	✓	✓	✓	✓				✓	
	1804	✓	✓	✓	✓	✓				✓	
	1802	✓	✓	✓	✓	✓				✓	
	1805	✓	✓	✓	✓	✓				✓	
	1810	✓	✓	✓	✓	✓				✓	
1811	✓	✓	✓	✓	✓						
Bucket	8801	✓	✓	✓	✓	✓					
	8802	✓	✓	✓	✓	✓					
	8803	✓	✓	✓	✓	✓					
	8804	✓	✓	✓	✓	✓					
	8808	✓	✓	✓	✓	✓					
	8807	✓	✓	✓	✓	✓					
	8811	✓	✓	✓	✓	✓					
	8810	✓	✓	✓	✓	✓					
8809	✓	✓	✓	✓	✓						
Soft	1501	✓	✓	✓	✓	✓	✓	✓	✓	✓	✓
	1502	✓	✓	✓	✓	✓	✓	✓	✓	✓	✓
	1503	✓	✓	✓	✓	✓	✓	✓	✓	✓	✓
Hung	1511	✓	✓	✓	✓	✓	✓	✓	✓	✓	✓
	1512	✓	✓	✓	✓	✓	✓	✓	✓	✓	✓
	1513	✓	✓	✓	✓	✓	✓	✓	✓	✓	✓
Cube	1521	✓	✓	✓	✓	✓	✓	✓	✓	✓	✓
	1522	✓	✓	✓	✓	✓	✓	✓	✓	✓	✓
	1523	✓	✓	✓	✓	✓	✓	✓	✓	✓	✓

COLORS	Art.									
		41	49	37	35	52	53	54	55	56
Moon	5520CL / 5521	✓	✓	✓	✓	✓	✓	✓	✓	✓
	5522CL / 5523	✓	✓	✓	✓	✓	✓	✓	✓	✓
	5524CL / 5525	✓	✓		✓	✓	✓	✓	✓	✓
	5501 / 5502	✓	✓	✓	✓	✓	✓	✓	✓	✓
	5503 / 5504 / 5505	✓	✓	✓	✓	✓	✓	✓	✓	✓
	5506 / 5507 / 5508	✓	✓							
	5509 / 5510	✓	✓							
	5511 / 5512	✓	✓							
Teorema 2.0	5126CL / 5127	✓	✓	✓	✓	✓	✓	✓	✓	✓
	5138CL / 5139	✓	✓	✓	✓	✓	✓	✓	✓	✓
	5101 / 5102	✓	✓	✓	✓	✓	✓	✓	✓	✓
	5111 / 5112	✓	✓							
	5104	✓	✓	✓	✓					
	5105 / 5110	✓	✓	✓	✓	✓	✓	✓	✓	✓
	5114 / 5117 / 5115	✓	✓			✓	✓	✓	✓	✓
	5118 / 5123 / 5119	✓	✓			✓	✓	✓	✓	✓
	5120 / 5124	✓	✓			✓	✓	✓	✓	✓
	5121 / 5122 / 5125	✓	✓							
	5106/R-100A	✓	✓			✓	✓	✓	✓	✓
	5106/R-100B	✓	✓			✓	✓	✓	✓	✓
	5107/R-120A	✓	✓							
	5107/R-120B	✓	✓							
	5142	✓	✓			✓	✓	✓	✓	✓
	5143 / 5116	✓	✓							
	5108 / 5109	✓	✓							
	5130 / 5131 / 5132		✓							
	5133 / 5134 / 5135		✓							
	5136 / 5137		✓							
Glam	1809	✓	✓							
	1808 / 1807 / 1806 / 1804	✓	✓	✓	✓	✓	✓	✓	✓	✓
	1803	✓	✓							
	1802	✓	✓	✓	✓	✓	✓	✓	✓	✓
	1801 / 1811 / 1812	✓	✓							
	1813 / 1813B	✓	✓							
	1805 / 1810	✓	✓							
Veil	6101 / 6102	✓	✓	✓	✓	✓	✓	✓	✓	✓
Soft	1501 / 1502 / 1503	✓	✓	✓						
Hung	1511 / 1512 / 1513	✓	✓	✓						
Cube	1521 / 1522 / 1523	✓	✓	✓						
Thin Line	8045 / 8009 / 8011	✓	✓	✓	✓	✓	✓	✓	✓	✓
Up	1890 / 1891	✓	✓					✓	✓	✓
Cross	2501 / 2502	✓	✓		✓	✓	✓	✓	✓	✓
	2713 / 2714	✓	✓		✓	✓	✓	✓	✓	✓
Diva	2715 / 2716 / 2717	✓	✓		✓	✓	✓	✓	✓	✓
	2709 / 2710	✓	✓		✓	✓	✓	✓	✓	✓

IT) Consigli per la pulizia e la manutenzione del bagno

Tutti i nostri prodotti, realizzati con materiali selezionati e sottoposti a tutti i controlli qualità, sono stati concepiti per durare a lungo nel tempo. Eventuali piccole alterazioni di colore o tono che si possono riscontrare tra gli oggetti sono sinonimo di produzione manuale, non industriale e garantiscono l'unicità del prodotto. Sono pertanto da considerare come caratteristiche di pregio e non difetti oggetto di contestazione. Un'accurata manutenzione ed alcuni piccoli accorgimenti permetteranno di conservare i sanitari sempre come nuovi, mantenendo intatte quelle caratteristiche estetiche e funzionali che determinano l'unicità e l'artigianalità dei prodotti Scarabeo.

Il nostro consiglio è di utilizzare sempre una spugna morbida per la pulizia dei lavabi e sanitari e di evitare l'uso di sostanze abrasive, caustiche o aggressive che possono rovinare od opacizzare la ceramica. Per un'igiene più sicura e per rimuovere gli eventuali residui di calcare o di sapone è consigliabile procedere periodicamente ad una pulizia più approfondita utilizzando sempre e comunque un detergente non abrasivo. Un regolare lavaggio con acqua tiepida e sapone, avendo cura di asciugare le superfici con un panno morbido subito dopo l'uso ed una particolare attenzione a non usare oggetti appuntiti o particolarmente ruvidi, saranno sufficienti per mantenere in perfette condizioni il nostro prodotto nel vostro bagno.

EN) Advice on bathroom cleaning and maintenance

All our products are manufactured with carefully selected materials, undergo strict quality controls and are designed to last. The minor alterations in colour or shade of the various items are the result of manual and not industrial production and guarantee a unique product. They should therefore be considered as precious features and not defects to complain about. Careful maintenance and several simple actions ensure that sanitary ware remains as good as new and retains the visual and functional features that guarantee the uniqueness and craftsmanship of Scarabeo products.

We suggest always using a damp sponge to clean the washbasins and sanitary ware. Avoid using abrasive, caustic or aggressive products that could damage or dull the ceramic. To ensure perfect hygiene and remove any traces of limescale or soap, it is recommended to clean them thoroughly every now and then, although again using a non-abrasive detergent. Wash our bathroom products regularly with warm water and soap and dry the surfaces thoroughly with a soft cloth after use, and also avoid using sharp or particularly rough objects, to ensure they remain in perfect condition.

FR) Conseils pour le nettoyage et l'entretien de la salle de bain

Tous nos produits sont réalisés à l'aide de matériaux triés sur le volet et soumis à tous les contrôles de qualité nécessaires. Ils ont été conçus afin de résister à l'épreuve du temps. Les petites altérations de couleur ou de ton qui peuvent apparaître sont le résultat d'un processus de production à la main, non industriel. Elles garantissent le caractère unique du produit. Ce sont donc des critères de luxe et ne sont en aucun cas des défauts pouvant faire l'objet d'une réclamation. Un entretien minutieux et le respect de plusieurs conseils vous permettront de préserver votre salle de bain et tous les aspects esthétiques et fonctionnels qui confèrent aux produits Scarabeo leur caractère unique et artisanal.

Nous vous conseillons donc d'utiliser toujours une éponge douce pour nettoyer les lavabos et les sanitaires. Evitez les produits abrasifs, caustiques ou agressifs qui pourraient endommager ou matifier la céramique. Pour un nettoyage en toute sécurité et pour éliminer les traces de calcaire ou de savon, procédez à un nettoyage plus approfondi à l'aide d'un détergent non abrasif en toutes circonstances. Effectuez un lavage régulier à l'eau tiède et au savon, en veillant à sécher les surfaces à l'aide d'un chiffon doux directement après utilisation. Veillez à ne pas utiliser d'objets pointus ou rugueux. Vous pourrez ainsi garantir l'état de nos produits et de votre salle de bain.

DE) Empfehlungen für die Reinigung und Instandhaltung des Bades

Alle unsere Produkte sind auf Langlebigkeit ausgelegt, da sie nur aus sorgfältig ausgewählten Materialien hergestellt und strengen Qualitätskontrollen unterzogen werden. Eventuelle geringfügige Farbtonabweichungen zwischen den einzelnen Produkten sind Merkmale der handwerklichen Verarbeitung und garantieren deren Einzigartigkeit. Daher sind solche Abweichungen Qualitätsmerkmale und stellen keine Mängel dar, die Gegenstand von Reklamationen sein könnten. Bei korrekter Pflege und richtiger Behandlung bleiben Ihre Sanitärprodukte über lange Zeit in einem einwandfreien Zustand und erhalten die ästhetischen und funktionellen Eigenschaften, die für die Einzigartigkeit und handwerkliche Verarbeitung der Produkte von Scarabeo charakteristisch sind. Wir empfehlen die Reinigung der Waschbecken und Sanitärprodukte mit einem weichen Schwamm. Vermeiden Sie bitte den Einsatz von Scheuermitteln, ätzenden oder auf sonstige Weise aggressiven Substanzen, die die Oberflächen der Keramik beschädigen oder ihren Glanz beeinträchtigen können. Für eine sichere Hygiene und zur Entfernung von Kalkablagerungen oder Seifenresten empfehlen wir, regelmäßig eine gründlichere Reinigung mit einem grundsätzlich nicht scheuernden Reinigungsmittel durchzuführen. Regelmäßiges Spülen mit lauwarmem Wasser und Seife, nachfolgendes Trocknen mit einem weichen Tuch und das Vermeiden von Kontakt mit spitzen oder sehr rauen Gegenständen ist völlig ausreichend, um die Sanitärprodukte in Ihrem Bad in einem perfekten Zustand zu erhalten.

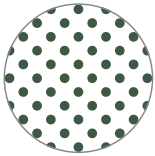
ES) Consejos para la limpieza y el mantenimiento del baño

Todos nuestros productos, realizados con materiales seleccionados y sometidos a todos los controles de calidad, han sido diseñados para durar a lo largo del tiempo. Es posible que se produzcan pequeñas alteraciones del color o del tono, características de la elaboración manual, no industrial, garantía del carácter único del producto. Por eso deben considerarse características de valor y no defectos de fabricación a reclamar. El mantenimiento preciso y algunas pequeñas precauciones permiten mantener los sanitarios como nuevos, sin que se alteren las características estéticas y funcionales que los hacen únicos y aseguran el carácter artesanal de los productos Scarabeo. Nuestro consejo es utilizar siempre una esponja suave para la limpieza de los lavabos y sanitarios y evitar el uso de sustancias abrasivas, cáusticas o agresivas que podrían aruinar la cerámica y quitarle brillo. Para una higiene más segura y para quitar posibles residuos calcáreos o de jabón se aconseja periódicamente realizar una limpieza más profunda empleando un detergente no abrasivo. Un lavado frecuente con agua tibia y jabón, teniendo cuidado de secar las superficies con un paño blando inmediatamente después del uso, sin utilizar objetos puntiagudos o ásperos, será suficiente para mantener el sanitario en perfectas condiciones.

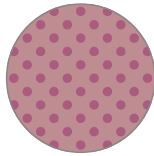
RU) Рекомендации по очистке и уходу за ванной комнатой

Все наши товары, выполненные из тщательно отобранных материалов, прошедших весь необходимый контроль качества, были разработаны таким образом, чтобы обеспечить длительный срок эксплуатации. Небольшие отклонения цвета или тона, которые, возможно, Вы встретите, являются следствием того, что товары не были произведены в серийном производстве, но являются результатом ручной работы, и свидетельствуют об их уникальности. Поэтому они должны рассматриваться как ценные характеристики, а не дефекты, являющиеся поводом для рекламации. Благодаря тщательному уходу и соблюдению некоторых несложных мер предосторожности, Ваши сантехнические изделия всегда будут как новые, и сохранятся эстетические и эксплуатационные характеристики, которые определяют уникальность и самобытность, присущие товарам компании Scarabeo. Рекомендуем Вам при очистке умывальников и сантехнических изделий всегда использовать мягкую губку и не прибегать к использованию абразивных, едких или агрессивных веществ, которые могут нанести вред керамическим изделиям или привести к помутнению их покрытия. Для обеспечения более строгой гигиены, а также для удаления возможных остатков известковых отложений или мыла рекомендуется периодически выполнять углубленную очистку, всегда используя для этого неабразивное чистящее средство. С тем, чтобы наши сантехнические товары, которые Вы выбрали для ванной комнаты, сохранили свое прекрасное состояние, будет достаточно регулярной мойки теплой водой с мылом и аккуратной протирки поверхностей мягкой тканевой салфеткой сразу же после использования. Необходимо также тщательно следить за тем, что Вы не используете заостренные или очень шероховатые предметы.

DecorLAB - POIS



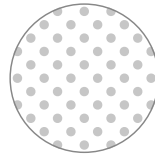
SEV
GREEN



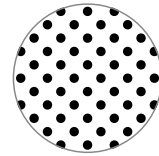
SER
PINK



SEM
BROWN

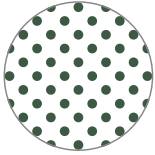


SENT
NEUTRAL

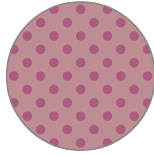


SENR
BLACK

DecorLAB - FULL POIS



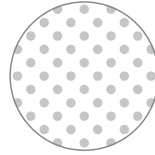
SFLV
GREEN



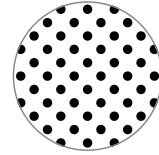
SFLR
PINK



SFLM
BROWN



SFLNT
NEUTRAL



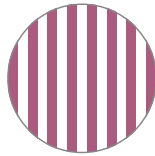
SFLNR
BLACK

Interno / esterno - Internal / external - Interne / externe - Intern / extern - Interno / externo - Внутренний / внешний

DecorLAB - LINE



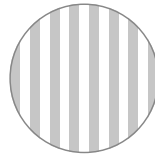
REV
GREEN



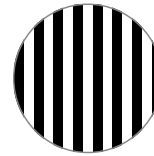
RER
PINK



REM
BROWN

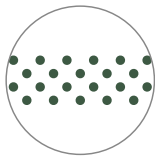


RENT
NEUTRAL

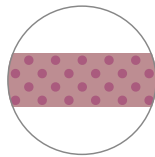


RENR
BLACK

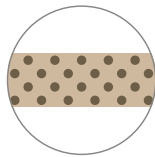
DecorLAB - POIS STRIP



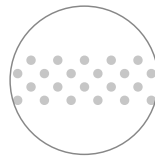
FSV
GREEN



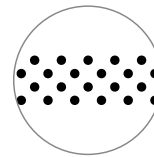
FSR
PINK



FSM
BROWN



FSNT
NEUTRAL



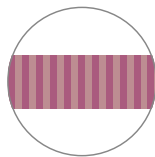
FSNR
BLACK

Interno / esterno - Internal / external - Interne / externe - Intern / extern - Interno / externo - Внутренний / внешний

DecorLAB - LINE STRIP



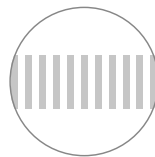
RRV
GREEN



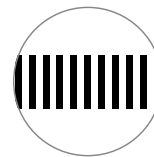
RRR
PINK



RRM
BROWN



RRNT
NEUTRAL



RRNR
BLACK

Interno / esterno - Internal / external - Interne / externe - Intern / extern - Interno / externo - Внутренний / внешний

COLORS



41
PEARL



49
ARDESIA



37
LAVA



35
NIGHT



52
SAND



53
TOBACCO



54
ANTIQUÉ PINK



55
MUSK



56
OCEAN

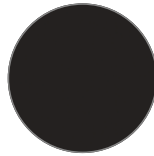
METALS



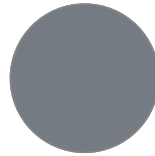
BS
MATT WHITE



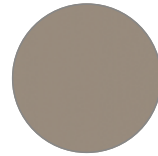
49
MATT ARDESIA



NROP
MATT BLACK

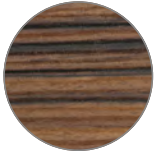


GRG
MATT GRAY



TRT
MATT TAUPE

WOOD - FRAME



87
MACASSAR



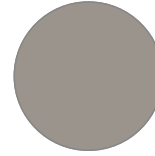
88
ROVERE BRIZZO



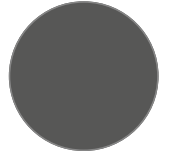
89
ROVERE NODATO



90
STRATOS

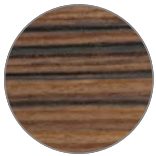


91
SABBIA



92
ANTRACITE

WOOD - FRAME 2.0 - SLIDE - ABLE - SOLID - DIVA - FUJI



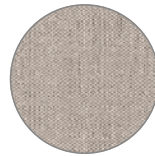
87
MACASSAR



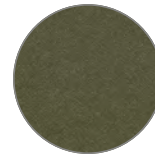
88
ROVERE BRIZZO



89
ROVERE NODATO



96
ALPACA



97
CESIO

WOOD - CROSS



98
LIGHT WOODEN FINISH



99
DARK WOODEN FINISH

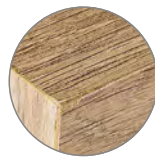
WOOD - TOP LINE



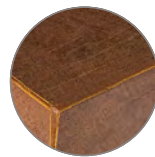
81
ARMAGNAC



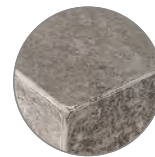
82
QUERCIA



83
FRASSINO

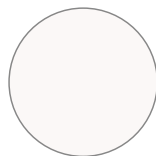


84
CORTEN



85
CEMENTO

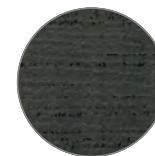
WOOD - PHORMA



93
LACQUER WHITE



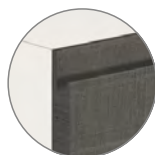
94
EGO CHIARO



95
EGO SCURO



F1
LACQUER WHITE-EGO CHIARO



F2
LACQUER WHITE-EGO SCURO



F3
EGO CHIARO-LACQUER WHITE



F4
EGO SCURO-LACQUER WHITE

special thanks to:

SLAMP S.P.A

FIMA CARLO FRATTINI S.P.A.




Scarabeo ceramiche s.r.l.

Concept
C&B pubblicità

Photography
Roberto Costantini - Gate Studio

Pre-Press
Prestampa Firenze




Hand made in Italy

SCARABEO CERAMICHE s.r.l.
Linea arredo bagno
Loc. Pian Del Trullo - 01034 Fabrica Di Roma - VT
Tel. 0039.0761.540028 - Fax 0039.0761.540286
www.scarabeosrl.com - info@scarabeosrl.com

